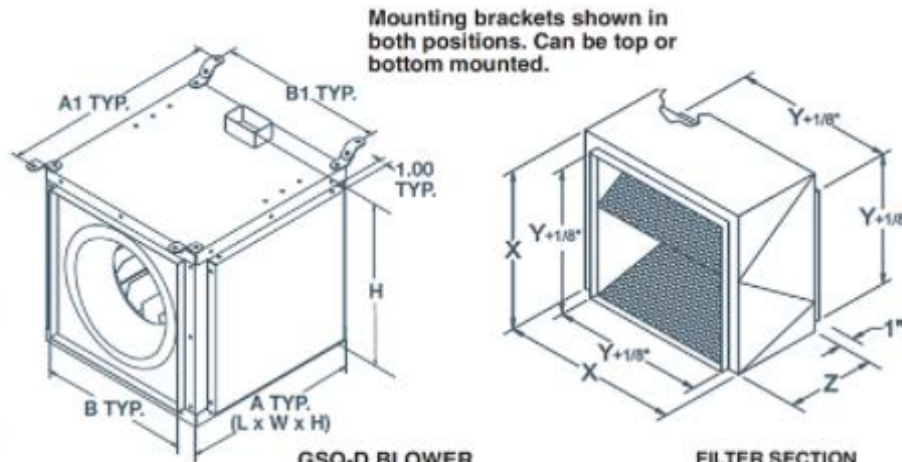


CANARM - GSQ - INLINE FAN DIMENSIONS



		GSQ-D BLOWER		FILTER SECTION		H
						15 7/16"
GSQ105-D	17 1/8"	14 5/8"	21 1/2"	15 3/8"		18 15/16"
GSQ120-D	20"	17"	24 3/8"	17 3/4"		21 13/16"
GSQ135-D	22"	18 3/4"	26 3/8"	19 1/2"		23 13/16"
GSQ150-D	24 1/2"	20 7/8"	38 3/8"	21 5/8"		26 5/16"
GSQ165-D	26 3/4"	23"	31 1/8"	23 3/4"		28 9/16"
GSQ180-D	29 5/8"	25 3/8"	34"	26 1/8"		31 7/16"
F-GSQ FILTER SECTION						
MODEL	A	B	Z	FILTER FACTOR	UNIT WEIGHT(LBS)	
F-DSQ090	15 5/64"	11 5/64"	6"	7.085	9 lbs	
F-DSQ105	20"	14"	6"	7.085	10	
F-DSQ120	20"	17"	6"	3.069	13	
F-DSQ135	22"	18 3/4"	6"	2.184	15	
F-DSQ150	24 1/2"	20 7/8"	14"	0.762	26	
F-DSQ165	26"	23"	14"	0.63	27	
F-DSQ180	28 5/8"	25 3/8"	14"	0.483	30	

FILTER RESISTANCE = FILTER FACTOR X CFM² X 10⁻⁸ IN. WG