



CANARM - GSQ - INLINE FAN USER GUIDE



2157 Parkedale Avenue, Brockville,
Ontario, Canada, K6V 6v6
1 (613) 342-5424

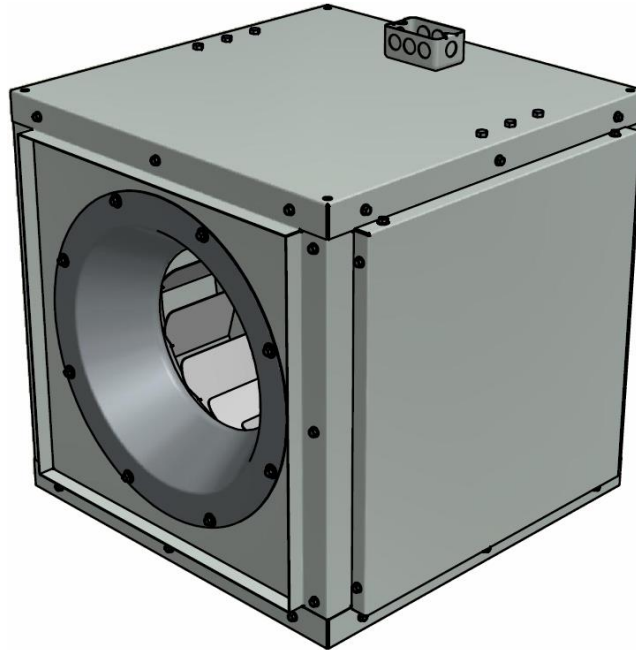
GSQ-D SERIES

DIRECT DRIVE GALVANIZED SQUARE INLINE BLOWER

OPERATION INSTRUCTIONS AND PARTS MANUAL

MODELS: GSQ105-D, GSQ120-D, GSQ135-D, GSQ150-D, GSQ165-D AND GSQ180-D

READ AND SAVE THESE INSTRUCTIONS



The purpose of this manual is to aid in the proper installation and operation of the blowers. These instructions are intended to supplement good general practices and are not intended to cover detailed instruction procedures.

IT IS THE RESPONSIBILITY OF THE PURCHASER TO ASSURE THAT THE INSTALLATION AND MAINTENANCE OF THIS EQUIPMENT IS HANDLED BY QUALIFIED PERSONNEL.

Inspect all shipments carefully for damage. THE RECEIVER MUST NOTE ANY DAMAGE ON THE CARRIER'S BILL OF LADING AND FILE A CLAIM IMMEDIATELY WITH THE FREIGHT COMPANY.

GSQ-SERES
USER MANUAL
2015.11.28

PAGE 1 OF 10



#2 Chootoo Road, South Aranguez, San Juan, Trinidad





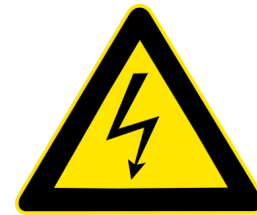
CANARM - GSQ - INLINE FAN USER GUIDE



2157 Parkedale Avenue, Brockville,
Ontario, Canada, K6V 6v6
1 (613) 342-5424

GENERAL SAFETY

1. All electrical work must be done in accordance with all applicable electrical codes by a qualified electrician.
2. Prior to wiring ensure the power supply is locked in the **OFF** position and that the motor nameplate voltage matches the supply voltage.
3. Do not install or operate this fan in an environment where combustible materials, gases or fumes are present.
4. **Caution:** the fan contains rotating parts and electrical service. Appropriate safety precautions should be taken during installation, operation and maintenance.
5. Before starting the unit, ensure the wheel rotates freely.
6. Check and tighten where necessary all nuts, bolts & set screws prior to fan start up (as some may have loosened during shipment).
7. **Follow all applicable national, state/provincial and local codes, all of them will supersede this manual.**
8. **Failure to follow the safety instructions in this manual may cause serious injury or death due to electrical shock or high speed rotating parts.**





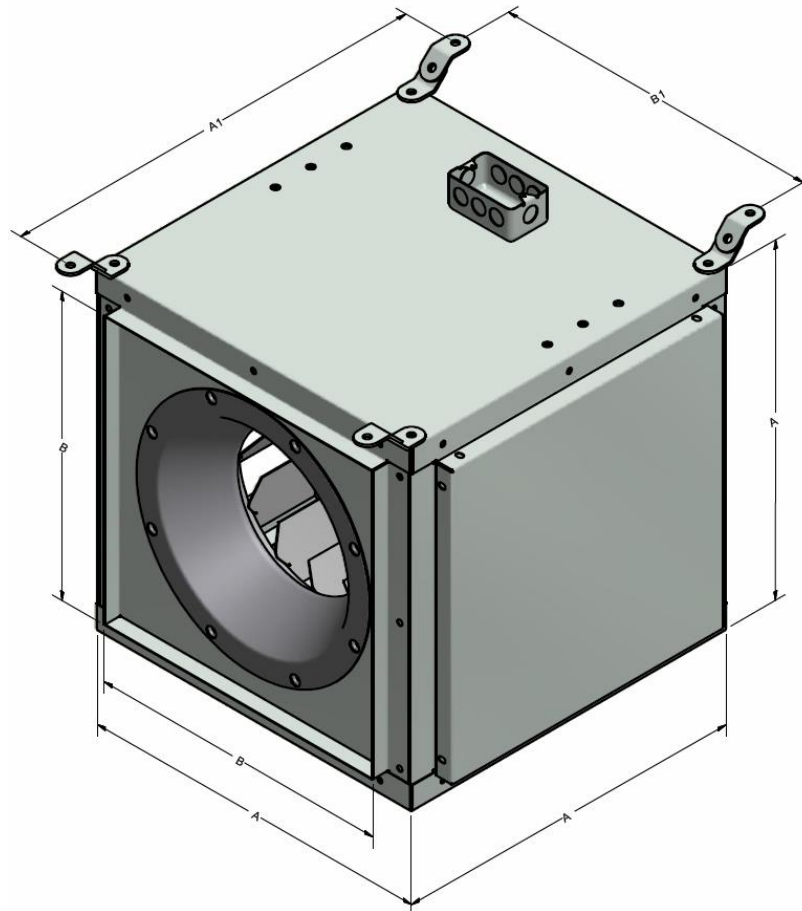
CANARM - GSQ - INLINE FAN USER GUIDE



2157 Parkedale Avenue, Brockville,
Ontario, Canada, K6V 6v6
1 (613) 342-5424

DIMENSION & COMPONENT

Dimensions (inches)					
Model	A	B	A1	B1	H
GSQ105-D	16	14	18 3/16	18 3/16	17 13/16
GSQ120-D	20	17	22 3/16	22 3/16	21 13/16
GSQ135-D	22	18 3/4	24 3/16	24 3/16	23 13/16
GSQ150-D	24 1/2	20 7/8	26 11/16	26 11/16	25 5/16
GSQ165-D	26	23	28 3/16	28 3/16	27 13/16
GSQ180-D	28 5/8	25 3/8	30 13/16	30 13/16	30 7/16



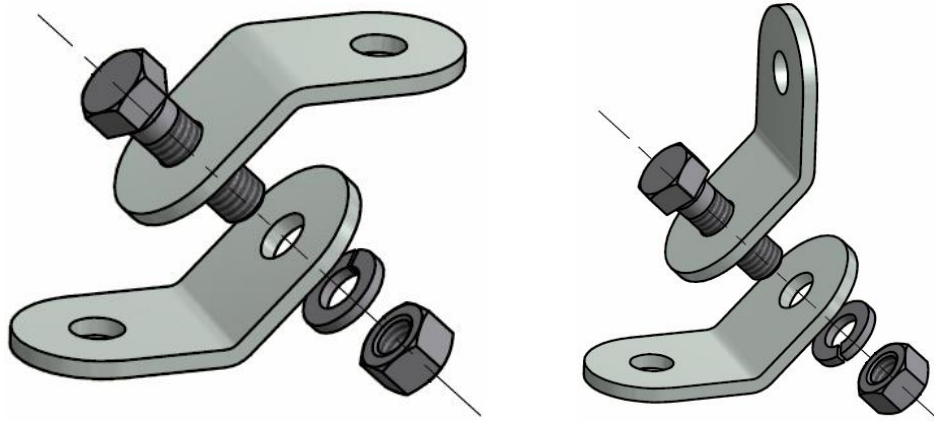
CANARM - GSQ - INLINE FAN USER GUIDE



2157 Parkedale Avenue, Brockville,
Ontario, Canada, K6V 6v6
1 (613) 342-5424

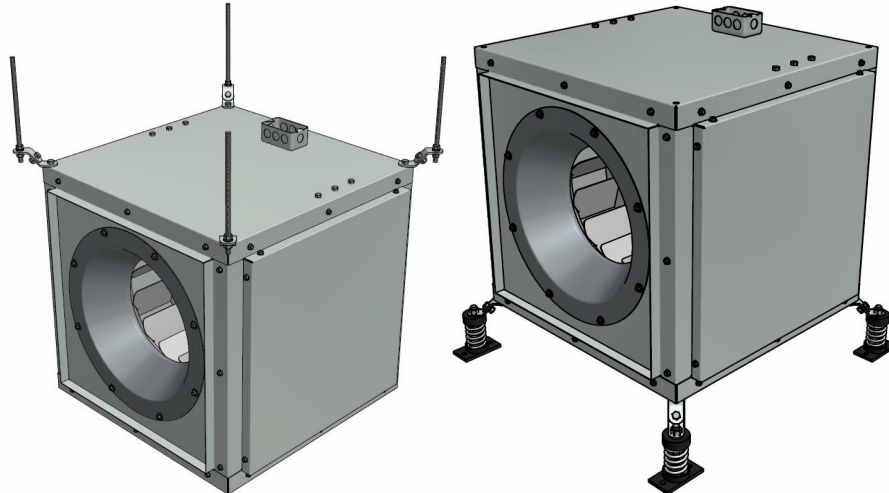
INSTALLATION

The 8 brackets provided in parts bag could accommodate different mounting direction/style, either base or suspension mounting.



Suspension mounting: move the mounting brackets to desired corners using the hardware provided, secure the unit to 4 customer provided suspension rods.

Base mounting: move the mounting brackets to desired corners using the hardware provided, secure the unit to the base. Vibration isolators (available as accessory) are recommended for both suspension and base mount to provide quiet operation.





CANARM - GSQ - INLINE FAN USER GUIDE



2157 Parkedale Avenue, Brockville,
Ontario, Canada, K6V 6v6
1 (613) 342-5424

In order to change the direction of discharge, relocate the access door to leave desired direction open.

