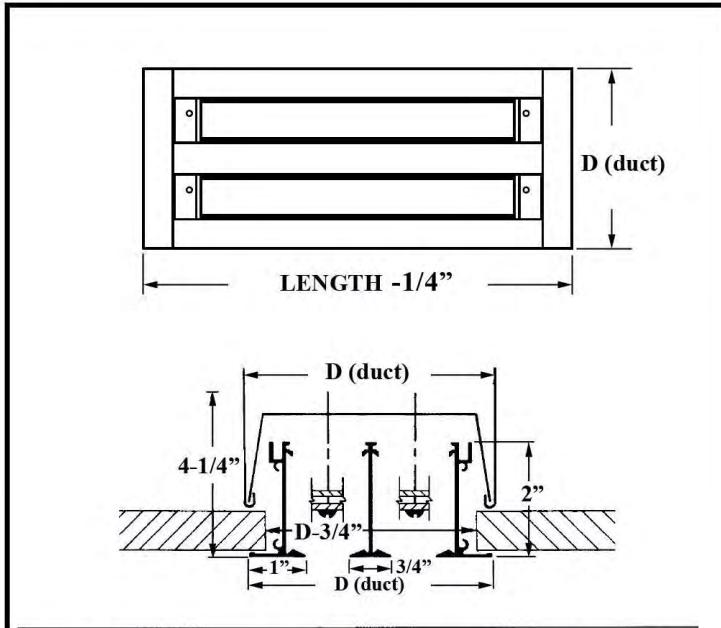




ASD1 LINEAR SUBMITTAL SHEET

	AIR SLOT DIFFUSERS CONCEALED MOUNTING WITH FLANGE FRAME MODELS: ASD TYPE I
	SUSTAINABLE EXTRUDED ALUMINUM

Dimensions are in inches (mm)



Number of Slots	1	2	3	4	5
"D" Dimension 1/2"-3/4"	2-3/4	4-1/4	5-3/4	7-1/4	8-3/4
"D" Dimension 1"	3	4-3/4	6-1/2	8-1/4	10

Number of Slots	6	7	8	9	10
"D" Dimension 1/2"-3/4"	10-1/4	11-3/4	13-1/4	14-3/4	16-1/4
"D" Dimension 1"	11-3/4	13-1/2	15-1/4	17	18-3/4

The suffix "-wide" will add 1/8" to the flange width and 1/4" to the overall dimension.

DESCRIPTION:

1. Type I is concealed mounting with flange frame. For 1/2" slot, center T extrusion changes to 1"-outer flange changes to 1-1/8".

PROJECT: _____

ENGINEER: _____

CONTRACTOR: _____



- ASD TYPE I**
Concealed mounting with flange frame

- OPTIONS:**
- Finish
 - ANOD Clear Anodized
 - WHITE
 - Medium Bronze
 - Black
 - Custom _____
 - Options
 - 1/2" slot; 3/4" slot; 1" slot

DATE	SERIES	DRAWING NO.

AirGuide Manufacturing, LLC. reserves the right to change any information concerning product or pricing without notice.



#2 Chootoo Road, South Aranguez, San Juan, Trinidad

