



BACKDRAFT DAMPER LBD-1 COMBO SUBMITTAL SHEET



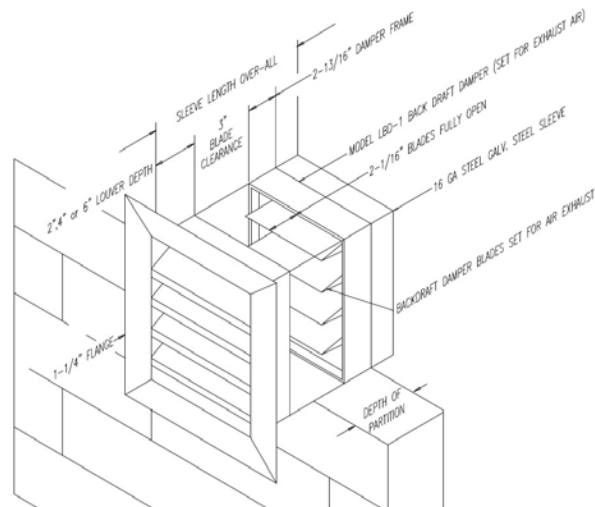
LLOYD INDUSTRIES INC.
WWW.FIREDAMPER.COM

BACKDRAFT DAMPER ASSEMBLY

**MODELS:
LBD-1 PARALLEL BLADE
BACKDRAFT DAMPER ASSEMBLY**

Exhaust Air

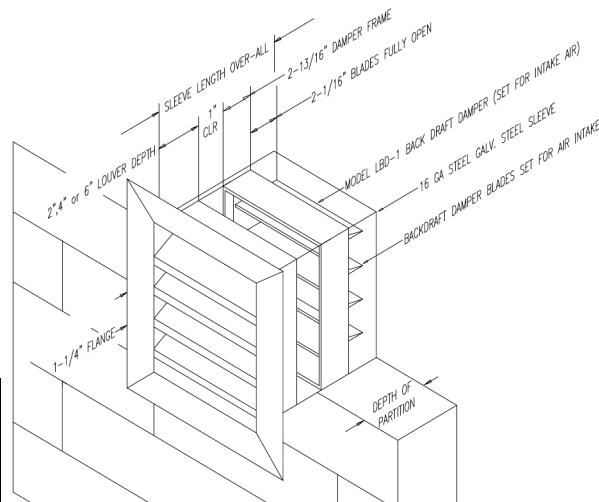
Combination assemblies
backdraft damper (LBD-1-V)
louver (2" 4" or 6") (Flanged)
16 Ga. galvanized steel sleeve
(Sleeve length is based on wall
thickness and louver depth)



Single Section		Multiple Section
Minimum Size (WxH)	Maximum Size (WxH)	Maximum Size (WxH)
6"x6"	60"x60"	UNLIMITED

Intake Air

Combination assemblies
backdraft damper (LBD-1-V)
louver (2" 4" or 6") (Flanged)
16 Ga. galvanized steel sleeve
(Sleeve length is based on wall
thickness and louver depth)



Single Section		Multiple Section
Minimum Size (WxH)	Maximum Size (WxH)	Maximum Size (WxH)
6"x6"	60"x60"	UNLIMITED

231 Commerce Dr. Montgomeryville, PA 18936
Tel: 215-412-4445 Fax: 215-412-4409
Email: lloydind@firedamper.com

138 Industrial Loop West, Orange Park, FL 32073
Tel: 904-541-1655 Fax: 904-541-1657
Email: lloydind1@firedamper.com

B1, 4/F., Luen Ming Hing Factory Building
36 Mok Cheong St.,
To Kwa Wan, Kowloon, H. K.
Tel: 852-2760-4188 Fax: 852-2760-4177
Email: tatanlexyim@lloydasia.com



Website: www.firedamper.com

*ALL STATED SPECIFICATIONS ARE SUBJECT TO UPDATE WITHOUT NOTICE OR OBLIGATION.

