



LLOYD'S - ACCESS DOORS SPECIFICATION SHEET



ACCESS DOORS

**MODEL:
60-HAD
65-CAD**



60-HAD



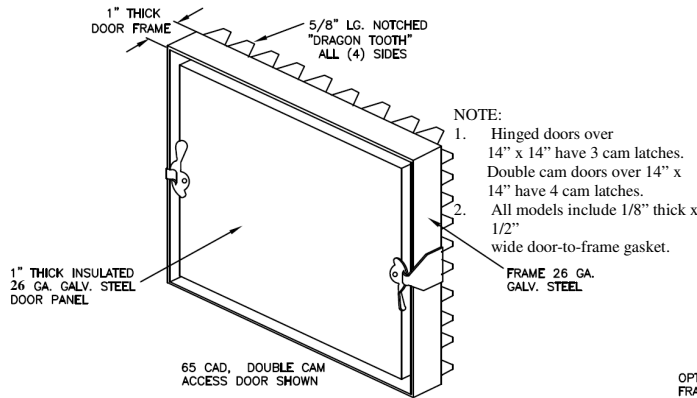
65-CAD

Standard models are 1" thick hinged or double cam lock insulated doors.

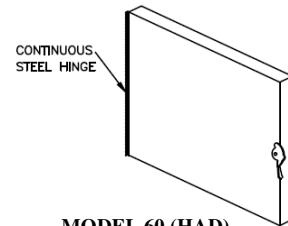
Standard Construction

Frame: 26 Ga. galvanized steel
Door Panel: 26 Ga. galvanized steel
Finish: Galvanized steel

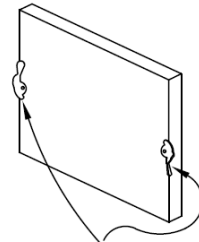
1" Thick hinged access door with flange
Frame 22 Ga. galvanized steel
5/8" Long notched knock-over edges standard
1/8" X 1/2" Wide door to frame standard gasketing



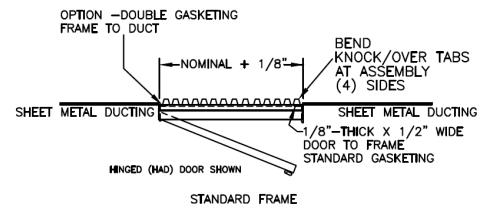
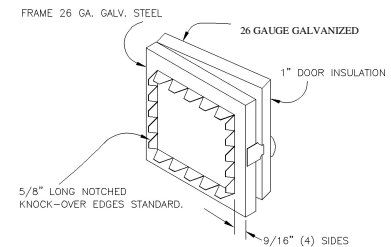
OPTIONS:
1" extension for 1" thick duct board ducting
1-1/2" extension for 1-1/2" thick duct board ducting
Double gasket for frame to duct gasket
Aluminum or stainless steel



MODEL 60 (HAD)
Hinged 1" access door with insulation



MODEL 65 (CAD)
Double cam 1" access door with insulation



231 Commerce Dr. Montgomeryville, PA 18936
Tel: 215-412-4445 Fax: 215-412-4409
Email: lloydind@firedamper.com

138 Industrial Loop West, Orange Park, FL 32073
Tel: 904-541-1655 Fax: 904-541-1657
Email: lloydind1@firedamper.com

B1, 4/F., Luen Ming Hing Factory Building
36 Mok Cheong St.,
To Kwa Wan, Kowloon, H. K.
Tel: 852-2760-4188 Fax: 852-2760-4177
Email: tatanlexyim@lloydasia.com



Lloyd Industries Inc. 2017

*ALL STATED SPECIFICATIONS ARE SUBJECT TO UPDATE WITHOUT NOTICE OR OBLIGATION.

