

SIG - ROOF MOUNTED SUPPLY FAN SPECIFICATION SHEET



ROOF MOUNT VENTILATION



SIG SERIES

Side Intake Filtered Fresh Air Supply Units

SIG series fresh air supply units are ideal for commercial applications such as schools, apartments and office buildings. They also provide an economical and practical solution to meet NFPA 96 separation requirements between supply & exhaust air streams in commercial kitchen applications.



FEATURES

- Flexible forward curved belt drive blowers operate at low speed and low noise levels.
- Galvanized steel housing.
- Heavy duty ball bearings suitable for -65° to +250° F.
- Weather proof cabinet designed for outdoor roof mounting.
- Filters designed with large surface area for efficient filtration.
- Washable aluminum mesh filter are located in the intake hood and are accessible through the hood end cap for ease of service.
- Easy on-site addition of customer supplied air supply duct extension between the intake hood and unit provides additional separation where necessary.

AVAILABLE WITH MOTORS & DRIVES FACTORY INSTALLED. CONSULT OUR DELAIR FAN SELECTION SOFTWARE FOR DETAILS.

PERFORMANCE SPECIFICATIONS

MODEL	TYPICAL MAXIMUM CFM @ SP						Min HP	Max HP
	1/2" SP	1" SP	1 1/2" SP	2" SP	2 1/2" SP			
SIG-9	2300	2000	1600	1000	600	1/4	1 1/2	
SIG-10	2600	2400	2100	1800	1300	1/4	1 1/2	
SIG-12	3800	3400	3100	2700	2200	1/4	2	
SIG-15	5200	4700	4300	3600	3000	1/2	3	

Power rating (BHP) does not include transmission losses. Performance certified is for installation type B: Free inlet, Ducted outlet. Performance ratings do not include the effect of appurtenances (accessories).

CFM values listed above are summarized for convenience.

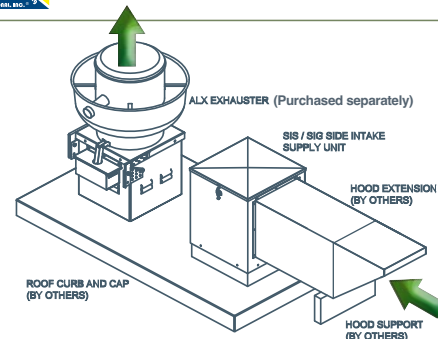
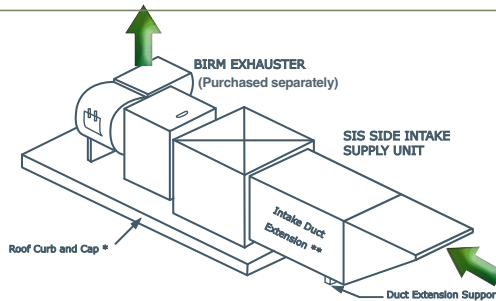
FOR FAN CURVES & FULL PERFORMANCE DATA, CONSULT OUR DELAIR SOFTWARE. DOWNLOAD DELAIR @ WWW.CANARM.COM/DELAIR



Canarm certifies that the SIG Series shown herein are licensed to bear the AMCA Seal. The ratings shown are based on tests and procedures performed in accordance with the requirements of the AMCA Certified Ratings Programme.



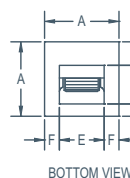
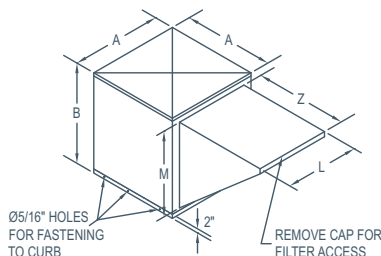
TYPICAL INSTALLATION



DIMENSIONS

MODEL	A	B	D	E	F	G	H	L	M	Z	FILTERS		*INSIDE CABINET	UNIT WEIGHT (LBS) (without motors & drives)
											SIZE	QUANTITY		
SIG-9	22"	24"	10 1/4"	11 7/8"	5"	3 7/8"	7 7/8"	19 3/8"	18 1/8"	19 7/8"	16" x 25" x 1"	1	21 7/8" x 21 7/8"	78 lbs
SIG-10	22"	24"	11 7/8"	13 1/4"	4 7/16"	3 1/4"	6 7/8"	19 3/8"	18 1/8"	19 7/8"	16" x 25" x 1"	1	21 7/8" x 21 7/8"	92 lbs
SIG-12	32"	32"	13 3/4"	15 7/8"	8 1/16"	9 1/4"	9"	25"	24 5/8"	25"	16" x 25" x 1"	2	31 7/8" x 31 7/8"	130 lbs
SIG-15	32"	32"	16 1/8"	18 7/8"	6 9/16"	6 7/8"	9"	25"	24 5/8"	25"	16" x 25" x 1"	2	31 7/8" x 31 7/8"	140 lbs

* Curb size to be smaller than inside cabinet to allow for flashing and roofing.



EASY TO SERVICE. LATCHED TOP COVER PROVIDES CONVENIENT ACCESS TO MOTOR, PULLEYS AND BELT.



ACCESSORIES

- Roof curbs (see page C27)
- Disconnects
- Frequency Drives