



SIG-12 - ROOF MOUNTED SUPPLY FAN SUBMITTAL SHEET



SUBMITTAL

Date: April 29, 2021

Page 1 of 2

Project No: _____ Submitted by: _____
 Project Name: _____
 Location: _____
 Engineer: _____
 Architect: _____
 Reference: Apr 29, 2021 10:10:11 AM

Equipment Tag

Contractor: _____

Model Information

Model: SIG-12	Part Number: SIG-12	
CFM: 3800	Shaft Diameter: 0	Unit Weight: 0
SP: 0.5	Wheel Diameter: 12.875	Ship Weight: 0
RPM: 1043	Tip Speed: 3516 FPM	
BHP: 1.93	Static Efficiency: 16	Elevation: 0
	Outlet Velocity: 2606 FPM	Temperature: 90

Sound Data

Sound Power Level @
Frequency, re: 10⁻¹² Watts

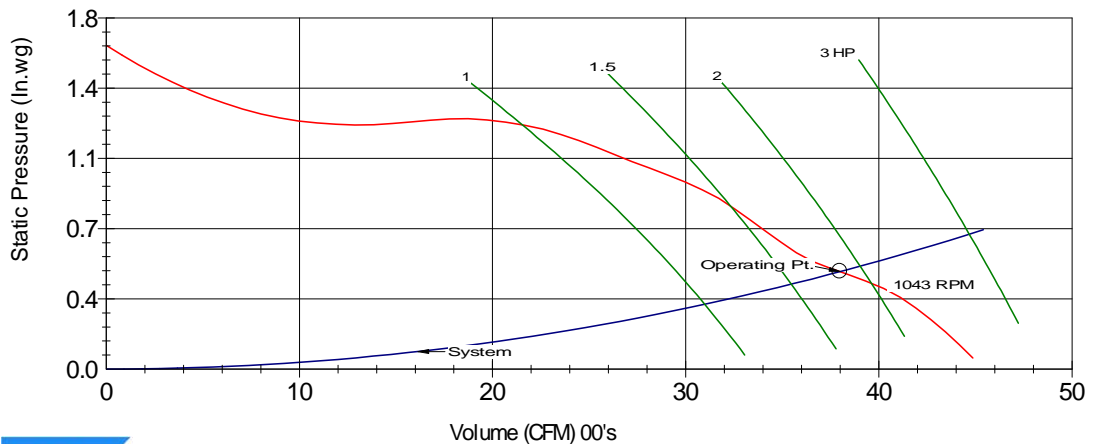
63	125	250	500	1000	2000	4000	8000	(Hz)	LwA: 85
83	86	84	83	77	78	75	71	(dB)	SONES: 23.5

Ducted inlet or ducted outlet dBA @5 ft. 74

Ducted inlet and ducted outlet dBA @5 ft. 54

Performance Curve

DELHI Model SIG-12
 CFM=3800 SP=0.5 BHP=1.93 S. Eff=16% RPM=1043



Canarm certifies that the SIG Series Fresh Air Supply Units shown herein are licensed to bear the AMCA Seal. The ratings shown are based on tests and procedures performed in accordance with AMCA Publication 211 and Publication 311, and comply with the requirements of the AMCA Certified Ratings Programme.
 Performance certified is for installation type B: Free inlet, Ducted outlet. Power rating bhp does not include transmission losses. Performance ratings include the effects of filters, but do not include the effects of other appurtenances (accessories).
 The sound power level ratings shown are in decibels, referred to 10⁻¹² watts, calculated per AMCA 301. The A-weighted sound power ratings shown have been calculated per AMCA 301. Values shown are for inlet LwA sound power levels for Installation Type B: free inlet, ducted outlet. Ratings include the effects of duct end correction.
 v: 13.0.39



#2 Chootoo Road, South Aranguez, San Juan, Trinidad





SIG-12 - ROOF MOUNTED SUPPLY FAN SUBMITTAL SHEET

CANARM
HVAC **SUBMITTAL**

Date: April 29, 2021

Page 2 of 2

Drive Information

Motor Pulley MVL40 x 5/8" \ 8500061	Turns Open 4	Blower Pulley MBL57 \ 8500002	Bushing H x 3/4 \ 8500062	Belt B42 \ 8200042
--	-----------------	----------------------------------	------------------------------	-----------------------

Motor Data

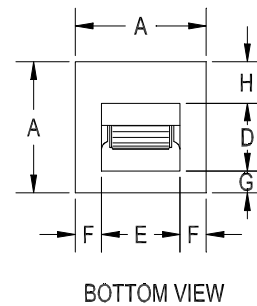
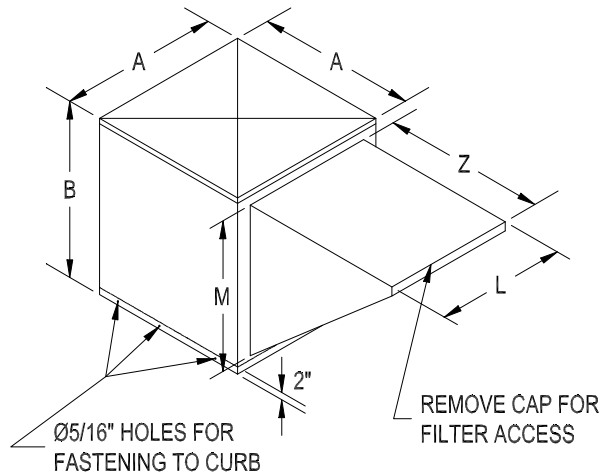
Motor HP and Type 2 ODP	Volts/Phase 115/208-230/1 Phase	Frame 56	Motor RPM 1750	Position 7	Canarm Part Number 1MD116
----------------------------	------------------------------------	-------------	-------------------	---------------	------------------------------

Options

Dimensions

Model: SIG-12

(Inches)



<u>A</u>	<u>B</u>	<u>D</u>	<u>E</u>	<u>F</u>	<u>G</u>	<u>H</u>	<u>L</u>	<u>M</u>	<u>Z</u>
32.0	32.0	13.75	15.875	8.0625	9.25	9.0	25.0	24.625	25.0

Standard Features

SIG Series Filtered Fresh Air Supply Single Inlet

- “ Forward curved wheel provides quiet, low rpm operation.
- “ Attractive baked on textured green polyethylene powder coat finish on galvanized steel.
- “ Recessed base ensures weatherproof mounting to curb.
- “ Heavy duty, self aligning, grease lubricated ball bearings.
- “ Blower mounted on rubber for quiet operation.
- “ Insulated top with latches provide easy access.
- “ Washable 1" aluminum mesh filters are easily accessed for service.



#2 Chootoo Road, South Aranguez, San Juan, Trinidad

