



# SIG-9 - ROOF MOUNTED SUPPLY FAN SUBMITTAL SHEET



**SUBMITTAL**

Date: April 29, 2021

Page 1 of 2

Project No: \_\_\_\_\_ Submitted by: \_\_\_\_\_  
 Project Name: \_\_\_\_\_  
 Location: \_\_\_\_\_  
 Engineer: \_\_\_\_\_  
 Architect: \_\_\_\_\_  
 Reference: Apr 29, 2021 10:02:43 AM

**Equipment Tag**

Contractor: \_\_\_\_\_

**Model Information**

Model: SIG-9	Part Number: SIG-9	
CFM: 2300	Shaft Diameter: 0	Unit Weight: 0
SP: 0.5	Wheel Diameter: 10.25	Ship Weight: 0
RPM: 1222	Tip Speed: 3279 FPM	
BHP: 1.43	Static Efficiency: 13	Elevation: 0
	Outlet Velocity: 2735 FPM	Temperature: 90

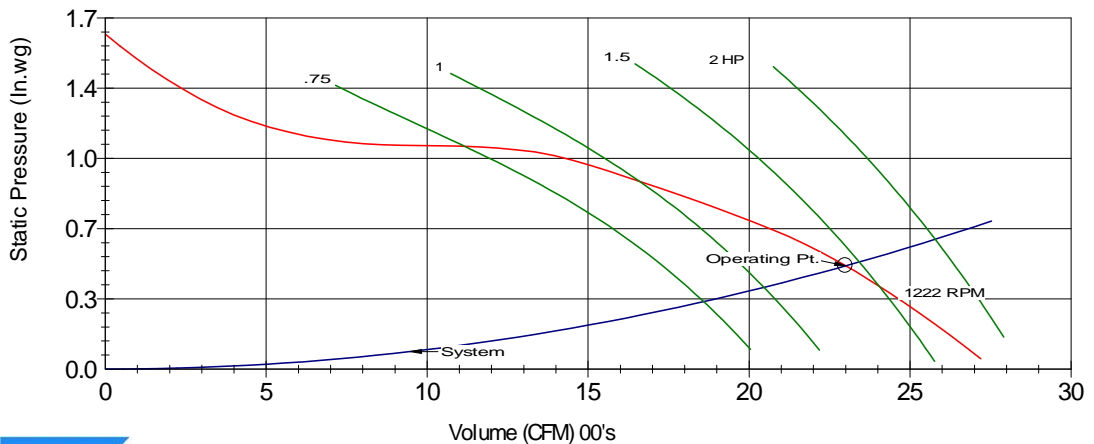
**Sound Data**

Sound Power Level @ Frequency, re: 10~12 Watts	63	125	250	500	1000	2000	4000	8000	(Hz)	LwA: 86
	87	92	89	82	80	75	73	70	(dB)	SONES: 25.3

Ducted inlet or ducted outlet dBA @5 ft. 75      Ducted inlet and ducted outlet dBA @5 ft. 55

**Performance Curve**

DELHI Model SIG-9  
 CFM=2300 SP=0.5 BHP=1.43 S. Eff=13% RPM=1222



Canarm certifies that the SIG Series Fresh Air Supply Units shown herein are licensed to bear the AMCA Seal. The ratings shown are based on tests and procedures performed in accordance with AMCA Publication 211 and Publication 311, and comply with the requirements of the AMCA Certified Ratings Programme.  
 Performance certified is for installation type B: Free inlet, Ducted outlet. Power rating bhp does not include transmission losses. Performance ratings include the effects of filters, but do not include the effects of other appurtenances (accessories).  
 The sound power level ratings shown are in decibels, referred to 10-12 watts, calculated per AMCA 301. The A-weighted sound power ratings shown have been calculated per AMCA 301. Values shown are for inlet LwA sound power levels for Installation Type B: free inlet, ducted outlet. Ratings include the effects of duct end correction.  
 v: 13.0.39



#2 Chootoo Road, South Aranguez, San Juan, Trinidad





# SIG-9 - ROOF MOUNTED SUPPLY FAN SUBMITTAL SHEET

**CANARM**  
HVAC **SUBMITTAL**

Date: April 29, 2021

Page 2 of 2

### Drive Information

Motor Pulley 8400 x 5/8" \ 8500036	Turns Open 3.5	Blower Pulley MBL57 \ 8500002	Bushing H x 3/4 \ 8500062	Belt B37 \ 8200130
---------------------------------------	-------------------	----------------------------------	------------------------------	-----------------------

### Motor Data

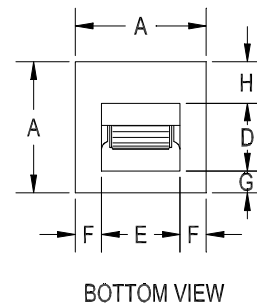
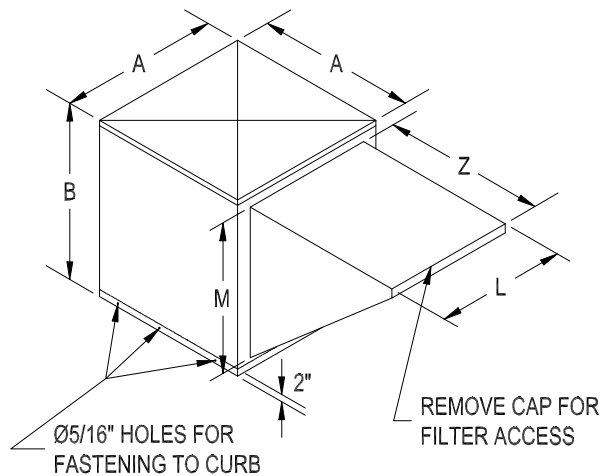
Motor HP and Type 1 1/2 ODP	Volts/Phase 115/208-230/1 Phase	Frame 56	Motor RPM 1750	Position 7	Canarm Part Number 1MD115
--------------------------------	------------------------------------	-------------	-------------------	---------------	------------------------------

### Options

### Dimensions

Model: SIG-9

(Inches)



<u>A</u>	<u>B</u>	<u>D</u>	<u>E</u>	<u>F</u>	<u>G</u>	<u>H</u>	<u>L</u>	<u>M</u>	<u>Z</u>
22.0	24.0	10.25	11.875	5.0	3.875	7.875	19.375	18.125	19.875

### Standard Features

#### SIG Series Filtered Fresh Air Supply Single Inlet

- Forward curved wheel provides quiet, low rpm operation.
- Attractive baked on textured green polyethylene powder coat finish on galvanized steel.
- Recessed base ensures weatherproof mounting to curb.
- Heavy duty, self aligning, grease lubricated ball bearings.
- Blower mounted on rubber for quiet operation.
- Insulated top with latches provide easy access.
- Washable 1" aluminum mesh filters are easily accessed for service.



#2 Chootoo Road, South Aranguez, San Juan, Trinidad

