



# SEIHO - SXL - ALUMINUM VENT CAP INSTALLATION GUIDE



## Dryer Vent and Vent Cap Installation Instructions

### INSTALLATION

Make sure the duct is sized correctly for the vent and well anchored to the structure for stability.

#### STEP 1

Select a good grade of exterior-type silicon caulk or equivalent appropriate to the local climate and usage. Following installation instructions, apply a sufficient amount of caulk around the neck of the vent as shown in Sketch No. 1. This will assure a good airtight seal at the vent/duct connection.

#### STEP 2

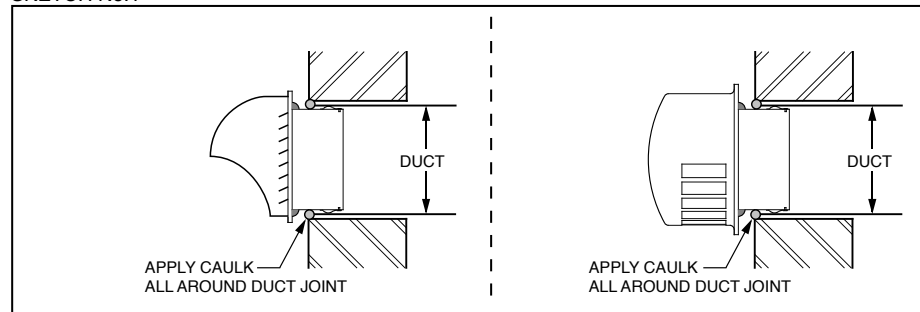
Insert the vent into the duct and press firmly to compress the caulk for a good seal at the duct.

#### STEP 3

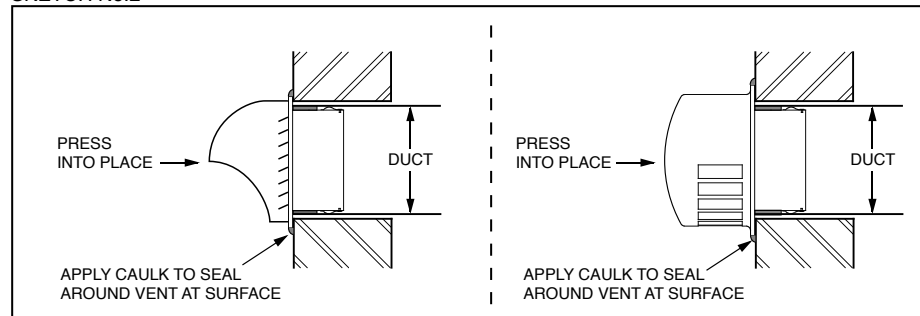
Apply caulk around the outside edge of vent at the wall as shown in Sketch No. 2. This will assure a good weather tight seal at the wall opening. Wipe off any excess. The vent openings must be positioned at the bottom.

We recommend a good grade of exterior-type silicon caulk or equivalent. Apply caulk according to manufacturers instructions.

SKETCH No.1



SKETCH No.2



#### NOTE

No louver manufacturer warrants their louver to prevent water penetration under all possible circumstances of wind and rain.

#### SAFETY

Use protective gloves whenever handling the vent. Read caulk manufacturer's instructions carefully for installation and safety instructions.

P.O.Box 91813 Pasadena, CA 91109 U.S.A. Tel: (800) 248-0030 (626) 395-7299 Fax: (626) 395-7290 <http://www.seiho.com> e-mail: [info@seiho.com](mailto:info@seiho.com)



#2 Chootoo Road, South Aranguez, San Juan, Trinidad

