



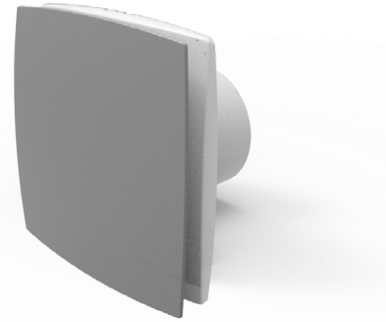
VENTS-US - LD SERIES - AXIAL FAN INSTALLATION GUIDE



INSTALLATION GUIDE

AXIAL FANS

LD 100/125/150



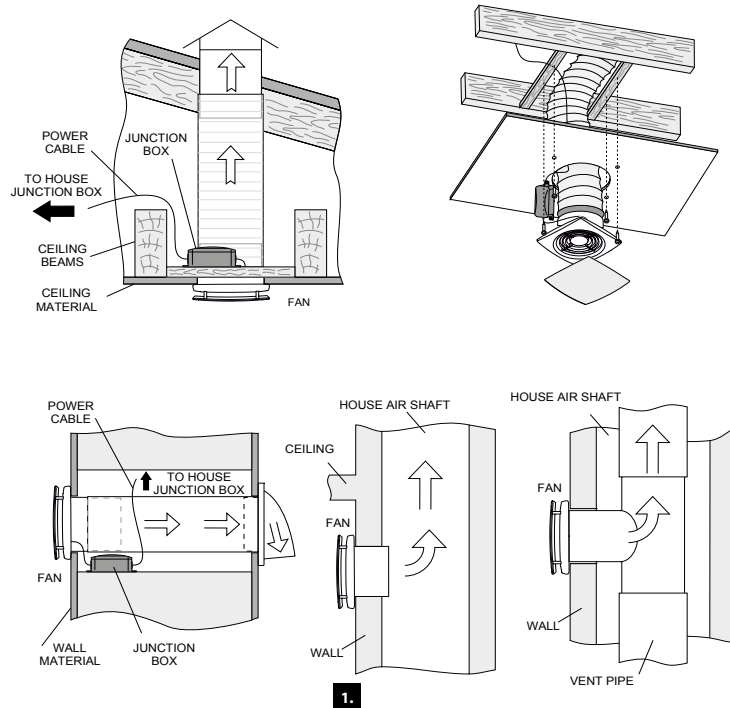
INSTALLATION

Tools required



MOUNTING

The fan is designed for horizontal and vertical installation on the floor, on the wall or on the ceiling.



Vents-US
400 Murray Road, Cincinnati, OH 45217, USA
Tel: 1-888-640-0925, 513-583-5786, Fax: 513-268-4597
E-mail: support@ventsus.com

MIU_02_LD-02



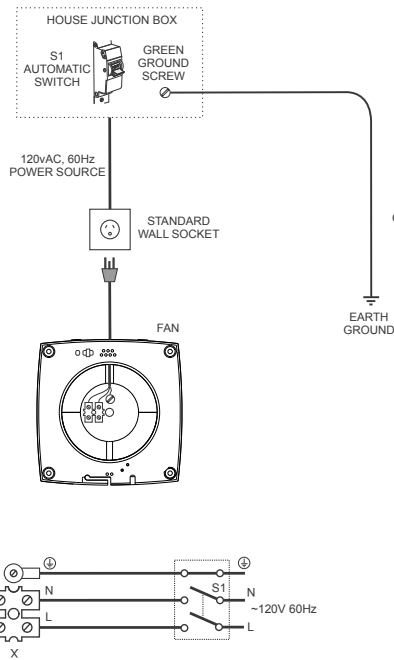
#2 Chootoo Road, South Aranguez, San Juan, Trinidad



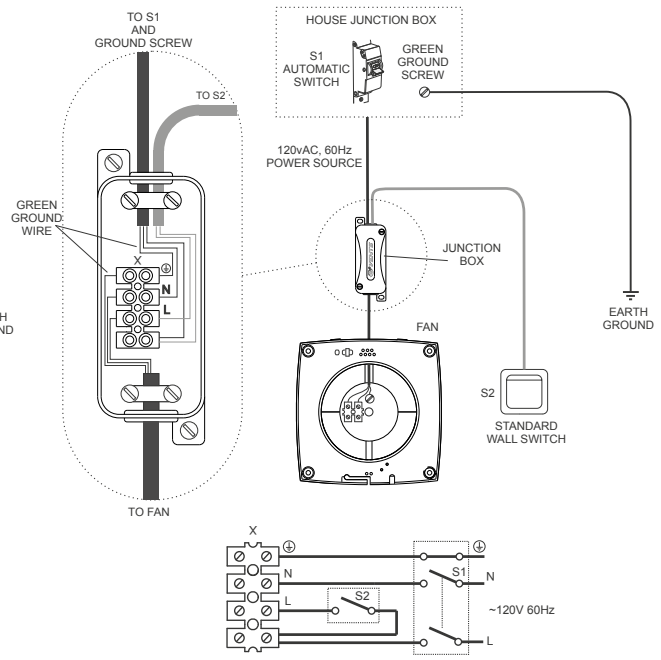
VENTS-US - LD SERIES - AXIAL FAN INSTALLATION GUIDE



Electrical Connection of ventilation fan



Electrical connection of ventilation fan and standard wall switch



2.



Vents-US
400 Murray Road, Cincinnati, OH 45217, USA
Tel: 1-888-640-0925, 513-583-5786, Fax: 513-268-4597
E-mail: support@ventsus.com

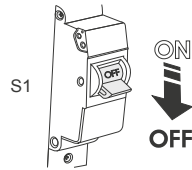
MIU_02_LD-02

VENTS-US - LD SERIES - AXIAL FAN INSTALLATION GUIDE

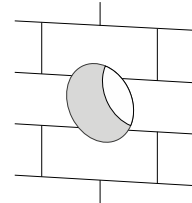


Mounting steps:

Step 1 - Cut off power supply and make sure that the power is disconnected



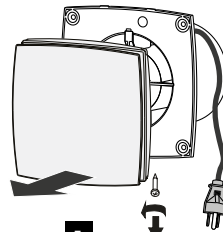
3.



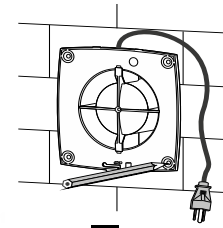
4.

Step 2 - Disconnect the front panel from the fan. Then remove the cover that covers the control board (Fig. 5).

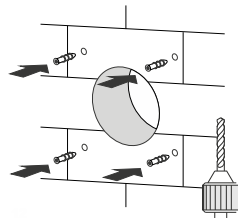
Step 3 - Mark and bore the fastening holes and install the fan (Fig. 6-8).



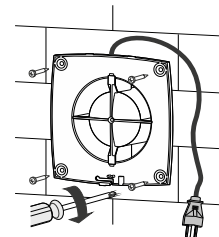
5.



6.



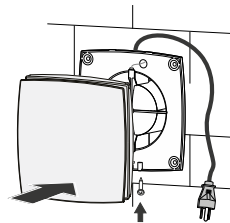
7.



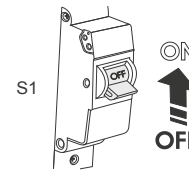
8.

Step 4 - Install the front panel (Fig. 9) and the decorative panel on the fan casing.

Step 5 - Provide power supply to the fan (Fig. 10).



9.



10.

Connect the fan to power supply in compliance with the wiring diagram (Fig. 2).



Vents-US
400 Murray Road, Cincinnati, OH 45217, USA
Tel: 1-888-640-0925, 513-583-5786, Fax: 513-268-4597
E-mail: support@ventsus.com
www.vents-us.com

MIU_02_LD-02