

# VENTS-US - TT PRO SERIES- INLINE FAN INSTALLATION GUIDE



## INSTALLATION GUIDE

IN-LINE MIXED FLOW TURBO TUBE FANS

TT PRO 100/125/150



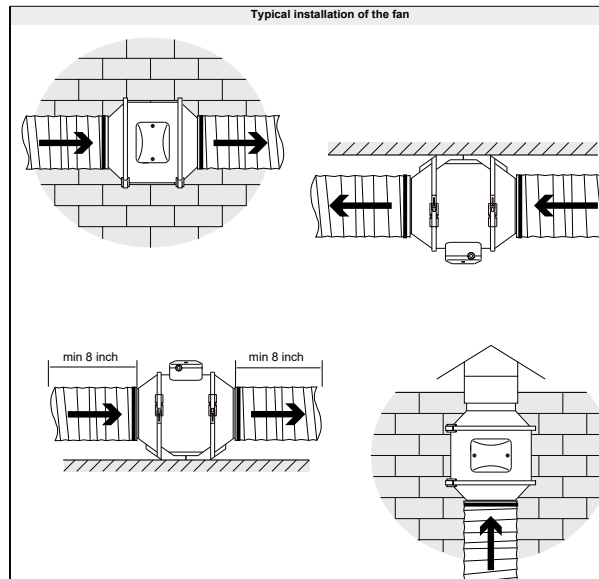
### INSTALLATION

#### Tools required

Pencil	Drill	Screwdriver	Dowel (4 pcs.)	Screws (4 pcs.)

### MOUNTING

Fans may be mounted either vertically or horizontally. We recommend minimum 8' of insulated flexible duct between any exhaust grill and fan for low noise level. Outlet flange should always be connected to an air duct.



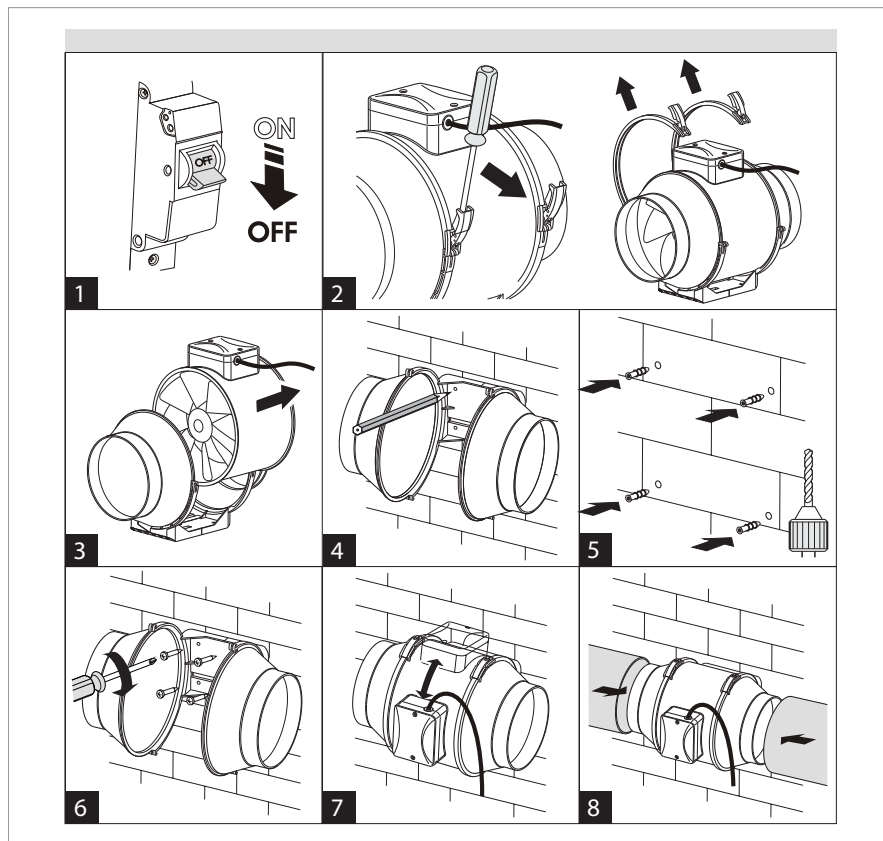
Vents-US  
400 Murray Road, Cincinnati, OH 45217, USA  
Tel: 1-888-640-0925, 513-583-5786, Fax: 513-268-4597  
E-mail: support@ventsus.com

MIU\_08EN-01

# VENTS-US - TT PRO SERIES- INLINE FAN INSTALLATION GUIDE



- 1) Disconnect the fan from power supply.
- 2) Deinstall the fixing brackets.
- 3) Remove the fan from the casing.
- 4) Mark holes on the wall.
- 5) Drill the holes and insert the expansion anchors.
- 6) Fix the fan.
- 7) Install the fan into the casing
- 8) Connect air ducts



Vents-US  
400 Murray Road, Cincinnati, OH 45217, USA  
Tel: 1-888-640-0925, 513-583-5786, Fax: 513-268-4597  
E-mail: support@ventsus.com

[www.vents-us.com](http://www.vents-us.com)

MIU\_08EN-01



#2 Chootoo Road, South Aranguez, San Juan, Trinidad



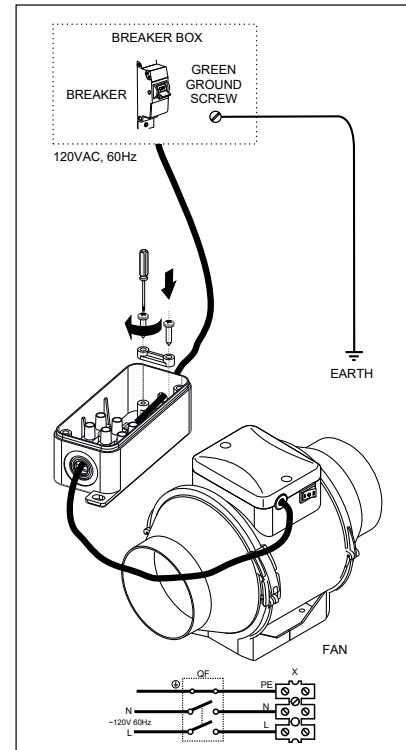
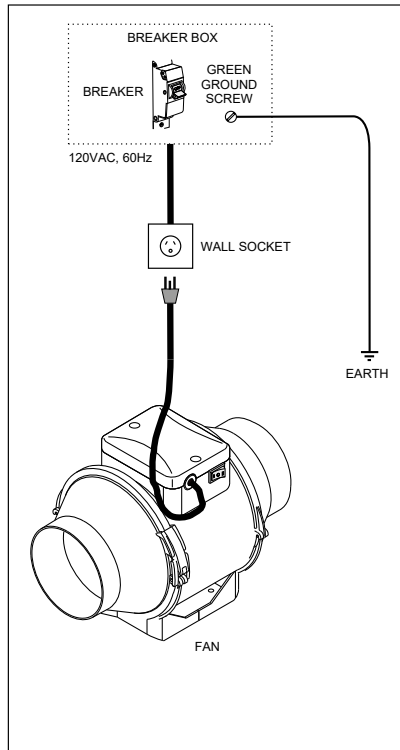
# VENTS-US - TT PRO SERIES- INLINE FAN INSTALLATION GUIDE



The fan must be connected using durable, insulated and heat-resistant cables and wires.

Connect the cables according to the wiring diagram.

Connection of the fan and standard wall socket



Vents-US  
400 Murray Road, Cincinnati, OH 45217, USA  
Tel: 1-888-640-0925, 513-583-5786, Fax: 513-268-4597  
E-mail: support@ventsus.com

MIU\_08EN-01