



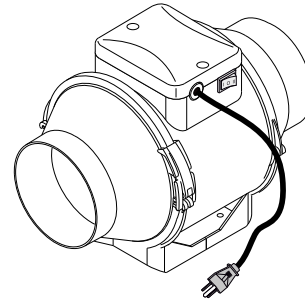
VENTS-US - TT SILENT SERIES- INLINE FAN INSTALLATION GUIDE



INSTALLATION GUIDE

IN-LINE MIXED TYPE FANS

TT SILENT 100/125/150
TT SILENT 100/125/150



INSTALLATION

Tools required



Pencil



Drill



Screwdriver



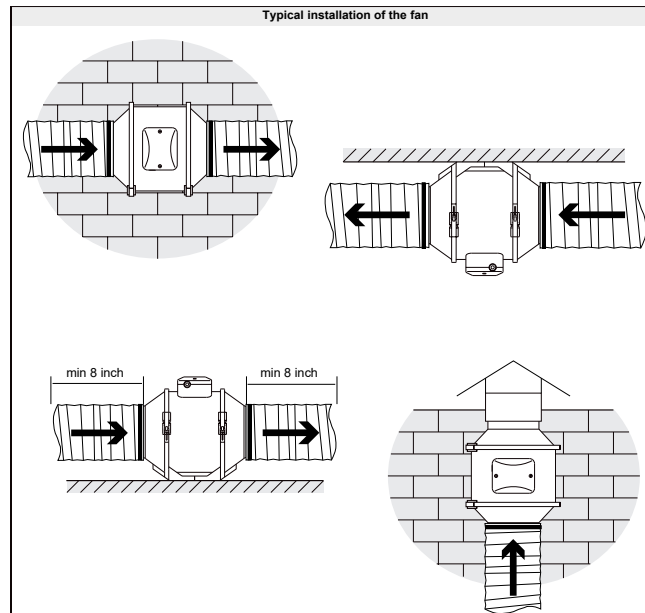
Dowel (4 pcs.)



Screws (4 pcs.)

MOUNTING

Fans may be mounted either vertically or horizontally. We recommend minimum 8' of insulated flexible duct between any exhaust grill and fan for low noise level. . Outlet flange should always be connected to an air duct.



Vents-US
400 Murray Road, Cincinnati, OH 45217, USA
Tel: 1-888-640-0925, 513-583-5786, Fax: 513-268-4597
E-mail: support@ventsus.com

MIU_06EN-01



#2 Chootoo Road, South Aranguéz, San Juan, Trinidad





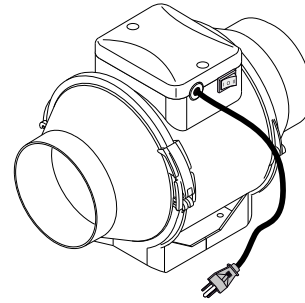
VENTS-US - TT SILENT SERIES- INLINE FAN INSTALLATION GUIDE



INSTALLATION GUIDE

IN-LINE MIXED TYPE FANS

TT SILENT 100/125/150
TT SILENT 100/125/150



INSTALLATION

Tools required



Pencil



Drill



Screwdriver



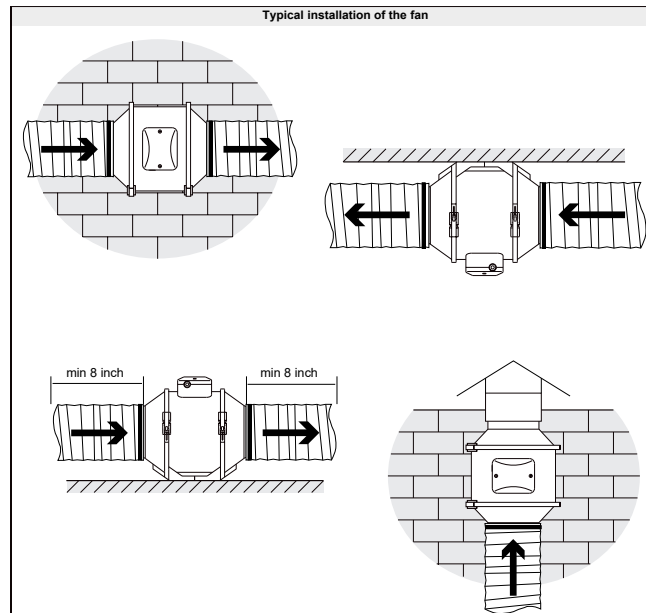
Dowel (4 pcs.)



Screws (4 pcs.)

MOUNTING

Fans may be mounted either vertically or horizontally. We recommend minimum 8' of insulated flexible duct between any exhaust grill and fan for low noise level. . Outlet flange should always be connected to an air duct.



Vents-US
400 Murray Road, Cincinnati, OH 45217, USA
Tel: 1-888-640-0925, 513-583-5786, Fax: 513-268-4597
E-mail: support@ventsus.com

MIU_06EN-01



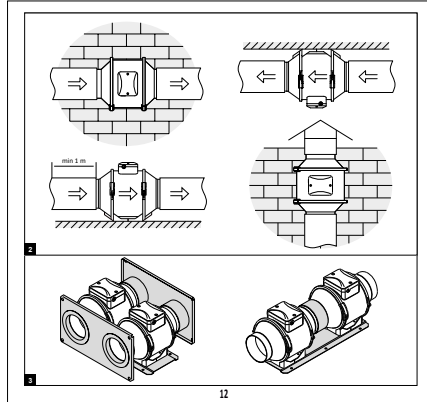
#2 Chootoo Road, South Aranguéz, San Juan, Trinidad



VENTS-US - TT SILENT SERIES- INLINE FAN INSTALLATION GUIDE

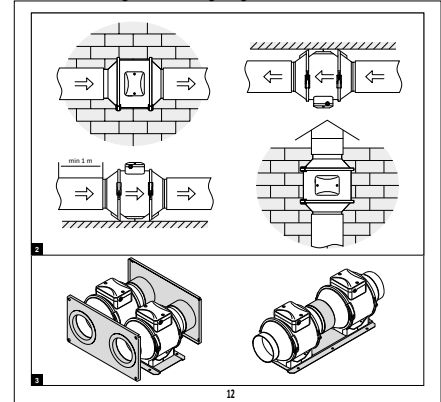


Connection of the fan and standard wall socket



The fan must be connected using durable, insulated and heat-resistant cables and wires.

Connect the cables according to the wiring diagram.



Vents-US
400 Murray Road, Cincinnati, OH 45217, USA
Tel: 1-888-640-0925, 513-583-5786, Fax: 513-268-4597
E-mail: support@ventsus.com

www.vents-us.com

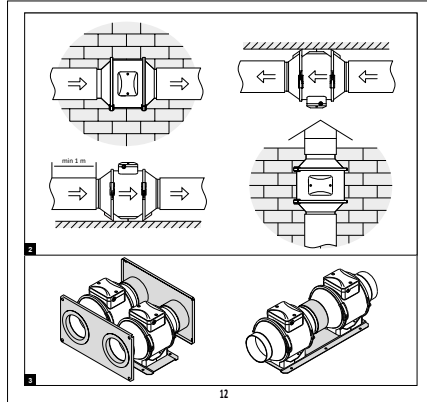
MIU_06EN-01



VENTS-US - TT SILENT SERIES- INLINE FAN INSTALLATION GUIDE

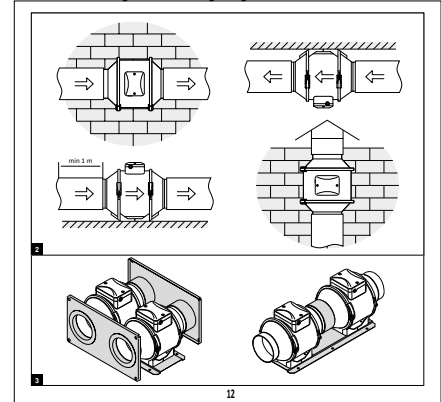


Connection of the fan and standard wall socket



The fan must be connected using durable, insulated and heat-resistant cables and wires.

Connect the cables according to the wiring diagram.



Vents-US
400 Murray Road, Cincinnati, OH 45217, USA
Tel: 1-888-640-0925, 513-583-5786, Fax: 513-268-4597
E-mail: support@ventsus.com

www.vents-us.com

MIU_06EN-01

