

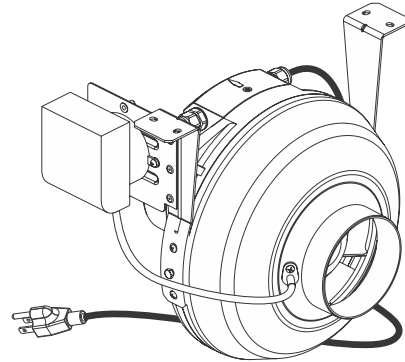
VENTS-US - VK PS SERIES- INLINE FAN INSTALLATION GUIDE



INSTALLATION GUIDE

INLINE CENTRIFUGAL FAN

VK PS 100
VK PS 125
VK PS 150

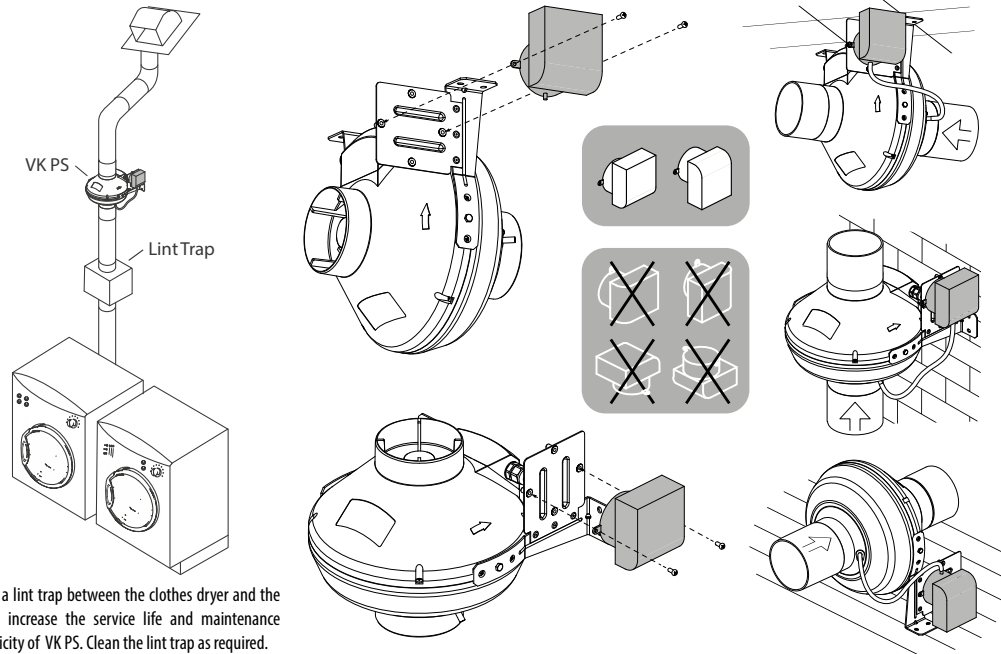


Tools required				
Pencil	Drill Ø 6 mm	Screwdriver	Dowel 4 pcs NTW 6/35	Screws 4 pcs 4/35

MOUNTING

Installation of the fan with direct air discharge to outside requires a device that prevents air backdraft: backdraft damper, a grille with shutters or a ventilation hood. Otherwise the fan may be spontaneously turned on by the pressure created by blown in wind from outside.

Typical Fan installation



Install a lint trap between the clothes dryer and the fan to increase the service life and maintenance periodicity of VK PS. Clean the lint trap as required.



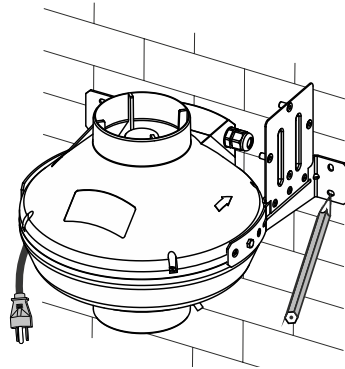
Vents-US
400 Murray Road, Cincinnati, OH 45217, USA
Tel: 1-888-640-0925, 513-583-5786, Fax: 513-268-4597
E-mail: support@ventsus.com

MIU_14_(VK_PS)EN-01

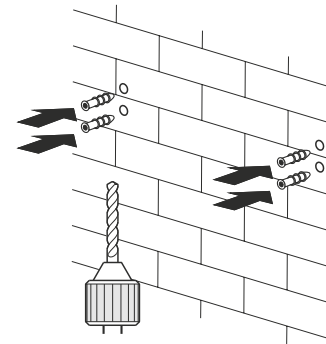
VENTS-US - VK PS SERIES- INLINE FAN INSTALLATION GUIDE



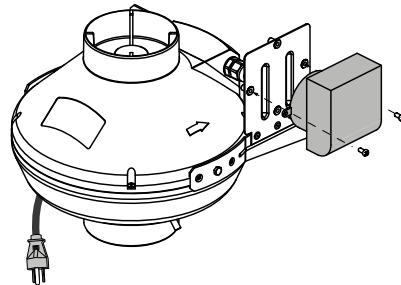
1. Mark fastening holes



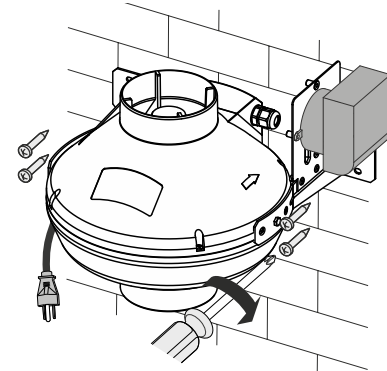
2. Drill fastening holes



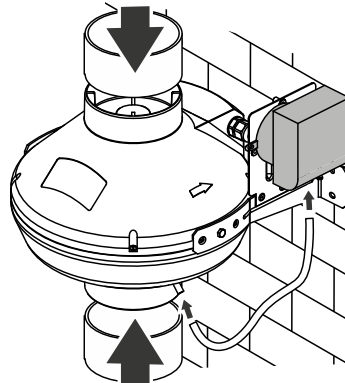
3. Install the sensor



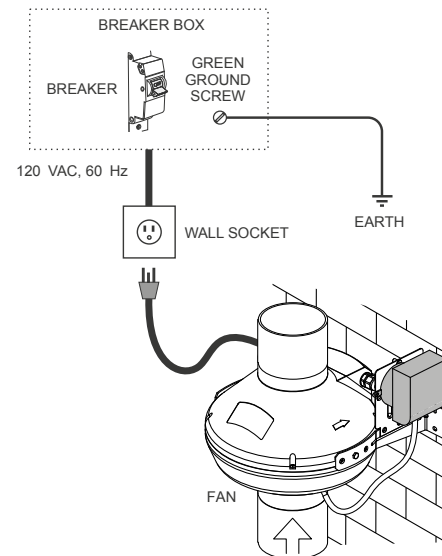
4. Fix the fan to the mounting surface with screws



5. Connect air ducts and silicone tube



6. Connection of the fan



Vents-US
400 Murray Road, Cincinnati, OH 45217, USA
Tel: 1-888-640-0925, 513-583-5786, Fax: 513-268-4597
E-mail: support@ventsus.com

MIU_14_(VK_PS)EN-01