

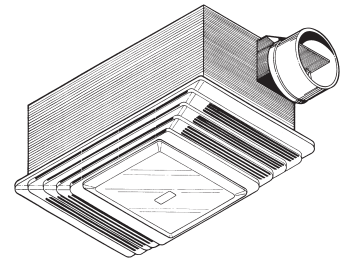


# BROAN ECONOMY SERIES- BATHROOM FANS SPECIFICATION SHEET

## BROAN<sup>®</sup>

## SPECIFICATION SHEET

### COMBINATION UNITS



- Model 655 — Heater/Fan/Light**
- Model 659 — Heater/Fan/Light**
- Model 656 — Heater/Light**
- Model 657 — Fan/Light**
- Model 658 — Heater/Fan**

**FEATURES**

**GRILLE:**

- White polymeric grille
- Snap-in light diffusing lens for 100W bulb (not included)

**VENTILATOR (except Model 656):**

- Resilient antivibration mounts
- Plug-in, permanently lubricated motor
- Low sound, high performance blower wheel

**HEATER (except Model 657):**

- 1300 watts, with metal blower wheel for efficient, even heating
- Plug-in, permanently lubricated motor - functions independent of ventilator

**HOUSING:**

- Adjustable mounting brackets span up to 24"
- Polymeric damper/duct connector with 2" long tapered sleeve and no metallic clatter
- Compact 23 gage corrosion resistant steel housing finished with powder coat paint

**NOTE:** For installation in ceilings up to 12/12 pitch

- Suitable for use in insulated ceilings (Type I.C.).
- For all models shown above, except Model 658, use supply wiring rated for at least 90°C.
- Models 655 and 659: Use Model 66V (Ivory) / 66W (White) Three Function Control
- Models 656, 657, and 658: Use Model 68V (Ivory) / 68W (White) Two Function Control
- Model 657 U.L. listed for use in tub/shower enclosure with GFCI branch wiring

**Model 654H:** Rough-in housing for Models 655F, 656F, 657F, 658F, 659F finish assemblies. 654H packed (4) per carton, 655F thru 659F packed (1) per carton

**TYPICAL SPECIFICATION**

Combination unit shall be Broan Model 655 (Model 659) (Model 656) (Model 657) (Model 658).

Unit shall have corrosion resistant steel housing finished in powder coat paint and adjustable mounting brackets.

Unit shall be rated to handle a 100W bulb.

Fan, heater and light shall be separately controllable. Motors shall be permanently lubricated. RPM not to exceed number listed for each model.

Air delivery shall be no less and sound levels no greater than listed for each model. All air and sound ratings shall be certified by HVI.

Units shall be U.L. listed.

Models 655, 656, 657, 658 and 659 suitable for use in insulated ceilings. (Type I. C.)



Broan-NuTone LLC, 926 West State Street, Hartford, WI 53027 (1-800-637-1453)

REFERENCE	QTY.	REMARKS	Project
			Location
			Architect
			Engineer
			Contractor
			Submitted by <span style="float: right;">Date</span>

91K 99041093T



#2 Chootoo Road, South Aranguéz, San Juan, Trinidad





# BROAN ECONOMY SERIES- BATHROOM FANS SPECIFICATION SHEET

## PERFORMANCE RATINGS - MODELS 655, 656, 657, 658, 659

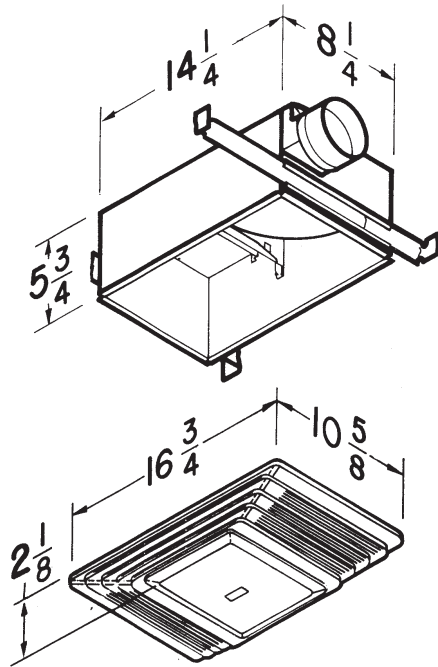
MODEL	DESCRIPTION	VOLTS	AMPS	WATTS*	SONES	CFM	DUCT
655	Heater/Fan/Light	120	12.8	1536	4.0	70	4" Round
656	Heater/Light	120	11.9	1428	---	---	-----
657	Fan/Light	120	2.0	N/A	4.0	70	4" Round
658	Heater/Fan	120	11.9	1428	4.0	70	4" Round
659	Heater/Fan/Light	120	12.0	1440	2.5	50	4" Round

\*Total connected load

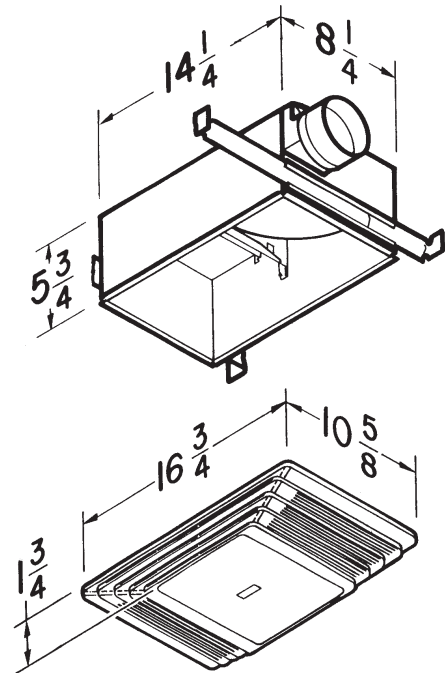


HVI-2100 CERTIFIED RATINGS comply with new testing technologies and procedures prescribed by the Home Ventilating Institute, for off-the-shelf products, as they are available to consumers. Product performance is rated at 0.1 in. static pressure, based on tests conducted in AMCA's state-of-the-art test laboratory. Sones are a measure of humanly-perceived loudness, based on laboratory measurements.

MODELS 655,  
656, 657 & 659



MODEL 658



Broan-NuTone LLC, 926 West State Street, Hartford, WI 53027 (1-800-637-1453)



#2 Chootoo Road, South Aranguéz, San Juan, Trinidad



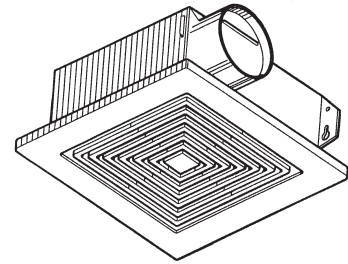


# BROAN ECONOMY SERIES- BATHROOM FANS SPECIFICATION SHEET

## BROAN®

### SPECIFICATION SHEET

## MODEL 671 CEILING/WALL FANS



Simple installation and dependability make this odor and moisture removing fan a real value.

#### FEATURES

##### GRILLE:

- White polymeric - blends well with any decor
- Torsion spring grille mounting - no tools required
- Metal grille kit available - (purchase separately)

##### MOTOR:

- Plug-in, permanently lubricated
- Broan-designed polymeric blower wheel
- Snap in/out motor assembly for easy cleaning - no screws to drive or drop

##### HOUSING:

- Compact, 25 gage galvanized steel - attaches easily to wall or ceiling joists
- Double strength mounting flanges with keyhole slots
- Removable wiring cover - make connections away from tight corners
- No electrical knockout to remove
- Polymeric duct fitting with tapered sleeve for easy, positive duct connection
- Quiet polymeric damper prevents cold backdrafts - no metallic clutter

**Model 1667H:** Rough-in housing for 1671F finish assemblies (packed 6 per carton)

- U.L. listed for tub or shower enclosure with GFCI branch wiring

**CONTROLS:** Designed by Broan for use with this product (purchase separately)

- Model 57V (Ivory)57W (White)
- Electronic Variable Speed Control
- Model 59V/59W 60-Minute Time Control
- Model 61V/61W 15-Minute Time Control

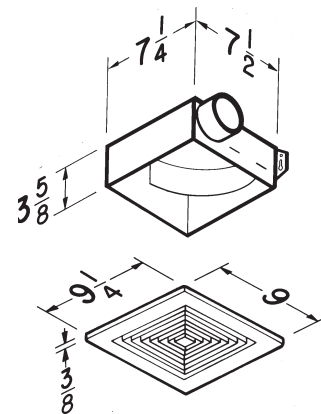
#### TYPICAL SPECIFICATION

Ventilator shall be Broan Model 671.

Ventilator shall have galvanized steel housing with double-strength mounting flanges. It shall be ducted vertically (horizontally) to a roof cap (wall cap).

Motor assembly shall be removable and permanently lubricated.

Air delivery shall be no less than 70 CFM and sound levels no greater than 6.0 Sones. All air and sound ratings shall be certified by HVI. Units shall be U.L. listed.



#### SPECIFICATIONS

MODEL	VOLTS	AMPS	CFM	SONES	DUCT
671	120	1.15	70	6.0	3" ROUND



HVI-2100 CERTIFIED RATINGS comply with new testing technologies and procedures prescribed by the Home Ventilating Institute, for off-the-shelf products, as they are available to consumers. Product performance is rated at 0.1 in. static pressure, based on tests conducted in AMCA's state-of-the-art test laboratory. Sones are a measure of humanly-perceived loudness, based on laboratory measurements.



Broan-NuTone LLC, 926 West State Street, Hartford, WI 53027 (1-800-637-1453)

REFERENCE	QTY.	REMARKS	Project
			Location
			Architect
			Engineer
			Contractor
			Submitted by
			Date

50G

99041071K



#2 Chootoo Road, South Aranguez, San Juan, Trinidad



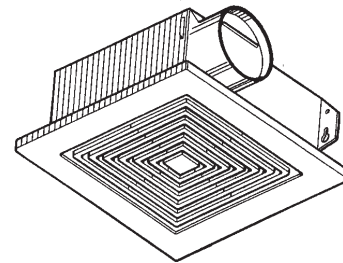


# BROAN ECONOMY SERIES- BATHROOM FANS SPECIFICATION SHEET

## BROAN®

### SPECIFICATION SHEET

## MODEL 670 CEILING/WALL FANS



Simple installation and dependability make this odor and moisture removing fan a real value.

#### FEATURES

##### GRILLE:

- White polymeric - blends well with any decor
- Torsion spring grille mounting - no tools required
- Metal grille kit available - (purchase separately)

##### MOTOR:

- Plug-in, permanently lubricated
- Broan-designed polymeric blower wheel
- Snap in/out motor assembly for easy cleaning - no screws to drive or drop

##### HOUSING:

- Compact, 25 gage galvanized steel - attaches easily to wall or ceiling joists
- Double strength mounting flanges with keyhole slots
- Removable wiring cover - make connections away from tight corners
- No electrical knockout to remove
- Polymeric duct fitting with tapered sleeve for easy, positive duct connection
- Quiet polymeric damper prevents cold backdrafts - no metallic clatter

**Model 1667H:** Rough-in housing for 1670F finish assemblies (packed 6 per carton).

- U.L. listed for tub or shower enclosure with GFCI branch wiring

**CONTROLS:** Designed by Broan for use with this product (purchase separately)

- Model 57V (Ivory)/57W(White) electronic variable speed control
- Model 59V (Ivory)/59W(White) 60-Minute Time Control
- Model 61V/61W 15-Minute Time Control

#### TYPICAL SPECIFICATION

Ventilator shall be Broan Model 670.

Ventilator shall have galvanized steel housing with double-strength mounting flanges. It shall be ducted vertically (horizontally) to a roof cap (wall cap).

Motor assembly shall be removable and permanently lubricated.

Air delivery shall be no less and sound levels no greater than listed. All air and sound ratings shall be certified by AMCA and/or HVI. Units shall be U.L. listed.

"Broan-NuTone LLC certifies that the models shown herein are licensed to bear the AMCA Seal. The ratings shown are based on tests and procedures performed in accordance with AMCA Publication 211 (and AMCA Publication 311 if sound is also certified) and comply with the requirements of the AMCA Certified Ratings Program."



Broan-NuTone LLC, 926 West State Street, Hartford, WI 53027 (1-800-637-1453)

REFERENCE	QTY.	REMARKS	Project
			Location
			Architect
			Engineer
			Contractor
			Submitted by <span style="float: right;">Date</span>

50G

99041842E



#2 Chootoo Road, South Aranguéz, San Juan, Trinidad





# BROAN ECONOMY SERIES- BATHROOM FANS SPECIFICATION SHEET

## PERFORMANCE RATINGS - MODEL 670

### AMCA LICENSED PERFORMANCE

Model No.	Sones @ 0.0" S.P.	CFM @ Static Pressure (Ps - Inches of H <sub>2</sub> O)						Total Volts	Watts	Duct RPM	Duct Size
		0.0	0.1	.125	.250	.375	.500				
670	3.4	56	51	50	46	41	32	120	55	1700	3" Round

The performances shown are with inlet grille, backdraft damper and outlet duct. RPM shown is nominal and the performance is based on actual speed of test. The sound ratings shown are loudness values in fan sones at 5' (1.5m) in a hemispherical free field calculated per AMCA Std. 301. Values shown are for installation Type B: free inlet fan sone levels.

### SONES

Model Number	HVI Sones @ 0.1" S.P.**	AMCA Sones @ 0.0" S.P.**
670	3.5	3.4

\*\* There is difference between sone values certified by HVI for residential use and by AMCA for commercial/industrial use. Exact comparison of these values is not possible. This difference is mainly due to procedures used to convert measured sound to perceived sound. ANSI S3.4, used by both HVI and AMCA, specifies a procedure for calculating loudness as perceived by a typical listener under specific conditions. HVI establishes values at a distance of 5 feet from the fan in a "spherical free field"; AMCA establishes values at a distance of 5 feet in a "hemispherical free field". HVI and AMCA have different rules for rounding sone values.

### HVI PERFORMANCE

MODEL NUMBER	SONES	CFM @ 0.1" Ps
670	3.5	50

HVI-2100 CERTIFIED RATINGS comply with new testing technologies and procedures prescribed by the Home Ventilating Institute, for off-the-shelf products, as they are available to consumers. Product performance is rated at 0.1 in. static pressure, based on tests conducted in AMCA's state-of-the-art test laboratory. Sones are a measure of humanly-perceived loudness, based on laboratory measurements.



### WEIGHT

MODEL NUMBER	SHIPPING WT.
670	4.2 LBS.



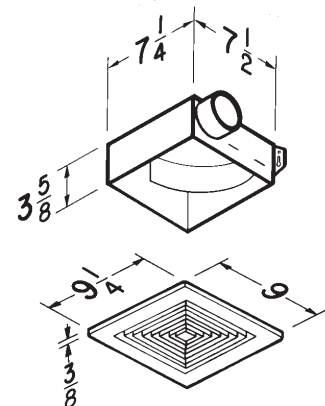
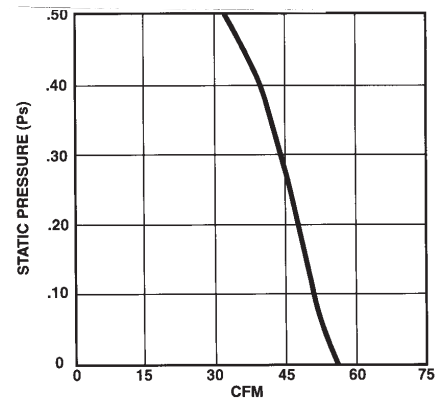
### AMPS

MODEL NUMBER	AMPS*
670	0.8

\*Total Connected Load



"Broan-NuTone LLC certifies that the models shown herein are licensed to bear the AMCA Seal. The ratings shown are based on tests and procedures performed in accordance with AMCA Publication 211 (and AMCA Publication 311 if sound is also certified) and comply with the requirements of the AMCA Certified Ratings Program."



Broan-NuTone LLC, 926 West State Street, Hartford, WI 53027 (1-800-637-1453)



#2 Chootoo Road, South Aranguéz, San Juan, Trinidad



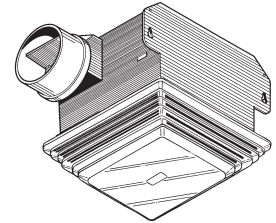


# BROAN ECONOMY SERIES- BATHROOM FANS SPECIFICATION SHEET

## BROAN®

## SPECIFICATION SHEET

### MODELS 678, 679 & 680 FAN/LIGHTS



Quality and double-duty at each installation location.

#### FEATURES

##### GRILLE:

- Matte white polymeric - blends well with any decor
- Built-in light-diffusing lens accepts up to 100W incandescent lamp. Bulb not included.

##### BLOWER:

- Plug-in, permanently lubricated motor
- Polymeric blower wheel

##### HOUSING:

- Rugged, 26-gage galvanized steel construction
- Sturdy key-holed mounting brackets for quick, accurate installation
- Tapered, polymeric duct fitting with built-in backdraft damper for easy, positive duct connection and no metallic clatter

**Model 2677H & 3677H:** Rough-in housings for 2678F, 2679F, 2680F finish assemblies (packed 4 per carton). 3677H housings include slide channels and mounting brackets.

NOTE: For installation in ceilings up to a 12/12 pitch.

U.L. Listed for use in insulated ceilings (Type I.C.)

U.L. Listed for use over bathtubs and showers when connected to a GFCI protected branch circuit

Use supply wiring rated for at least 90° C

#### TYPICAL SPECIFICATION

Fan/Light unit shall be Broan Model 678 (679) (680).

Unit shall have galvanized steel housing with dual integral mounting brackets. It shall be ducted to a roof or wall cap.

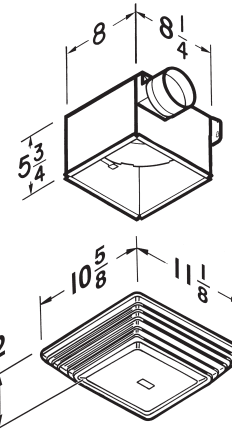
Blower assembly shall be removable and have a permanently lubricated motor.

Air delivery shall be no less than and sound level no greater than valves listed in the "Specifications" chart on this sheet. Air and sound ratings shall be certified by HVI.

Lamp shall be 100W maximum incandescent.

Unit shall be U.L. Listed for use over bathtubs and showers when connected to a GFCI protected branch circuit.

Unit shall be U.L. Listed for use in insulated ceilings (Type I.C.).



#### SPECIFICATIONS

MODEL	VOLTS	AMPS*	STATIC PRESSURE	SONES	CFM	DUCT
678	120	1.6	0.10 0.25	2.5	50 29	4" Round
679	120	2.0	0.10	3.5	70	4" Round
680	120	2.2	0.10	4.0	100	4" Round

\*Total Connected Load



HVI-2100 CERTIFIED RATINGS comply with new testing technologies and procedures prescribed by the Home Ventilating Institute, for off-the-shelf products, as they are available to consumers. Product performance is rated at 0.1 in. static pressure, based on tests conducted in a state-of-the-art test laboratory. Sones are a measure of humanly-perceived loudness, based on laboratory measurements.

Broan Hartford, Wisconsin www.broan.com 800-558-1711

REFERENCE	QTY.	REMARKS	Project
			Location
			Architect
			Engineer
			Contractor
			Submitted by Date

81D 99042917G



#2 Chootoo Road, South Aranguéz, San Juan, Trinidad

