

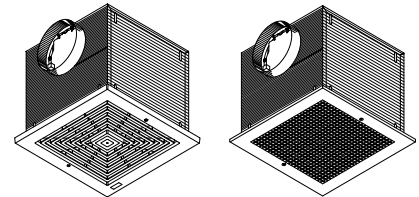


BROAN LIGHT DUTY SERIES- EXHAUST FAN SPECIFICATION SHEET



SPECIFICATION SHEET

LOSONE SELECT® CEILING MOUNT VENTILATORS L100 SERIES & L150 SERIES



Incredibly reliable. Unbelievably quiet. Offering the CFM choices you need at the lowest sound levels in the industry.

FEATURES

GRILLE:

- Conceals interior
- Low profile styling blends with any decor
- White polymeric ("MG" models - metal, finished with white painted enamel)

BLOWER:

- Low RPM for quiet operation
- Resilient anti-vibration mounts
- Dynamically-balanced, polymeric, centrifugal blower wheel for quiet, efficient performance
- Permanently lubricated, thermally protected motor
- Plug-in motor rated at 120 VAC
- Designed for continuous operation

HOUSING:

- Rugged, 20 gauge galvanized steel
- 6" round duct connector
- 1/2" acoustic insulation inside
- May be installed in ceiling or wall (size permitting)
- 8-position mounting brackets for easy installation and greater adaptability to various mounting requirements
- Automatic backdraft damper located within duct connector
- Factory-shipped in horizontal discharge position - easily converted to vertical discharge
- May be installed as an in-line ventilator with addition of accessory kit Model 961L (see "Accessories")

ACCESSORIES (purchase all separately):

- Model 57V (Ivory) / 57W (White) Electronic Variable Speed Control
- Model 59V (Ivory) / 59W (White) 60-Minute Time Control
- Model 61V (Ivory) / 61W (White) 15-Minute Time Control
- Model 71V (Ivory) / 71W (White) 12-Hour Time Control
- Electronic Variable Speed Controls – Model 72V (120 VAC)
- Model 961L In-line Adapter Plate
- Model RD1 Radiation Damper
- Model 80L Electronic Speed Control (Internal)

TYPICAL SPECIFICATION

Ventilator shall be Broan Model L100, (L100MG), (L150), (L150MG).

Ventilator shall have galvanized steel housing insulated with at least 1/2" of acoustic insulation. Housing to have adjustable mounting brackets.

Automatic backdraft damper to be located within duct connector. Duct connector, blower assembly and wiring plate shall be adjustable for either horizontal or vertical installation.

Blower unit shall be removable from housing and will have a polymeric, dynamically balanced centrifugal-type blower wheel. Motor to be permanently lubricated and mounted with resilient anti-vibration mounts. RPM not to exceed number listed for each model.

Air delivery shall be no less and sound levels no greater than listed for each model. All air and sound ratings shall be certified by AMCA. Units to be UL and cUL listed.



"Broan-NuTone LLC certifies that the models shown herein are licensed to bear the AMCA Seal. The ratings shown are based on tests and procedures performed in accordance with AMCA Publication 211 (and AMCA Publication 311 if sound is also certified) and comply with the requirements of the AMCA Certified Ratings Program"



Models L100 and L150 are UL listed for use over bathtubs and showers when connected to a GFCI-protected branch circuit.

Broan-NuTone LLC, 926 West State Street, Hartford, Wisconsin 53027 (1-800-637-1453)
Broan-NuTone Canada, 1140 Tristar Drive, Mississauga, Ontario, L5T 1H9 (1-888-882-7626)

REFERENCE	QTY.	REMARKS	Project
			Location
			Architect
			Engineer
			Contractor
			Submitted by Date

91E

99042731J



#2 Chootoo Road, South Aranguez, San Juan, Trinidad





BROAN LIGHT DUTY SERIES- EXHAUST FAN SPECIFICATION SHEET

PERFORMANCE RATINGS - LOSONE SELECT® CEILING MOUNT VENTILATORS L100 SERIES & L150 SERIES

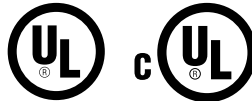
AMCA LICENSED PERFORMANCE

		CFM / SONES - AT STATIC PRESSURES (Ps - inches of H ₂ O)																
MODEL NO.	NOMINAL VOLTAGE		0.0" Ps	.10" Ps	.125" Ps	.250" Ps	.375" Ps	.50" Ps	.625" Ps	.750" Ps	.875" Ps	1.0" Ps	NOMINAL RPM	AMPS @60 Hz	WATTS			
L100	120 VAC	CFM Hor.	136	115	109	93	80	65	44	12			640	1.1	87			
		SONES Hor.	0.5	0.8	0.9	1.3	1.8	2.3	3.0	3.2								
		CFM Ver.	138	117	112	94	80	67	46	13						650	1.1	87
		SONES Ver.	0.7	0.9	1.0	1.3	1.8	2.2	2.8	3.0								
L100MG	120 VAC	CFM Hor.	140	115	110	92	78	60	42	10			630	1.1	87			
		SONES Hor.	0.5	0.8	0.9	1.2	1.8	2.4	3.0	3.3								
		CFM Ver.	142	119	115	95	80	67	45	13						640	1.1	87
		SONES Ver.	0.5	0.8	0.9	1.4	1.8	2.3	2.9	3.1								
L150	120 VAC	CFM Hor.	181	161	157	141	132	124	114	94	62		710	1.3	100			
		SONES Hor.	1.3	1.4	1.5	2.2	2.6	3.1	3.6	4.1	4.6							
		CFM Ver.	179	163	160	149	142	133	122	105	73	23				750	1.3	100
		SONES Ver.	1.4	1.6	1.6	2.0	2.5	3.0	3.3	3.6	3.9	4.2						
L150MG	120 VAC	CFM Hor.	180	163	160	143	130	118	102	76	50	10	710	1.3	100			
		SONES Hor.	1.1	1.4	1.4	1.9	2.3	2.8	3.2	3.8	4.1	4.5						
		CFM Ver.	180	163	160	143	130	118	102	76	50	10				725	1.3	100
		SONES Ver.	1.4	1.6	1.6	2.0	2.5	3.0	3.3	3.6	4.0	4.4						

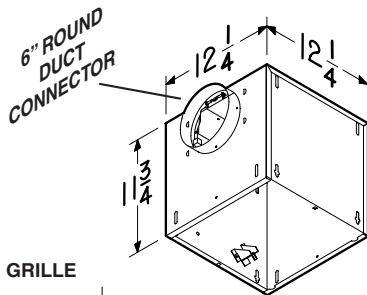
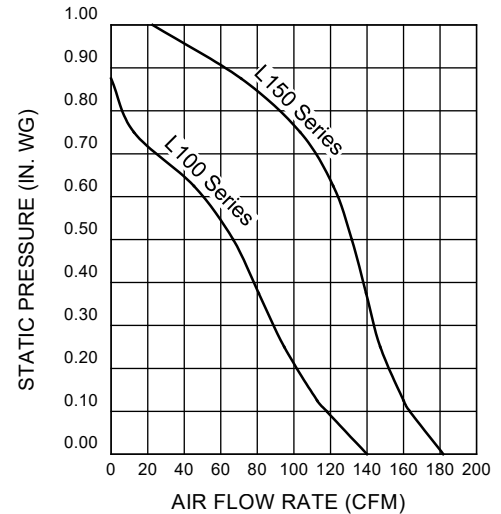
Performance ratings include the effects of inlet grille and backdraft damper in the airstream. Speed (RPM) shown is nominal. Performance is based on actual speed of test. The sound ratings shown are loudness values in fan sones at 5' (1.5m) in a hemispherical free field calculated per AMCA Std. 301. Values shown are for Installation Type B: Free inlet fan sone levels. Performance shown is for Installation Type B: Free inlet, Ducted outlet.



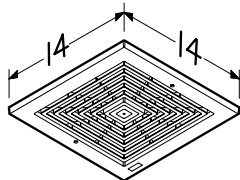
"Broan-NuTone LLC certifies that the models shown herein are licensed to bear the AMCA Seal. The ratings shown are based on tests and procedures performed in accordance with AMCA Publication 211 (and AMCA Publication 311 if sound is also certified) and comply with the requirements of the AMCA Certified Ratings Program."



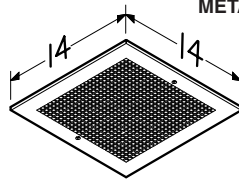
Models L100 and L150 are UL listed for use over bathtubs and showers when connected to a GFCI-protected branch circuit.



POLYMERIC GRILLE MODELS L100 L150



METAL GRILLE MODELS L100MG L150MG



WEIGHT

MODEL NO.	SHIPPING WT.
L100	22.8 lbs.
L100MG	23.7 lbs.
L150	23.1 lbs.
L150MG	23.7 lbs.



Broan-NuTone LLC, 926 West State Street, Hartford, Wisconsin 53027 (1-800-637-1453)
Broan-NuTone Canada, 1140 Tristar Drive, Mississauga, Ontario, L5T 1H9 (1-888-882-7626)



#2 Chootoo Road, South Aranguez, San Juan, Trinidad





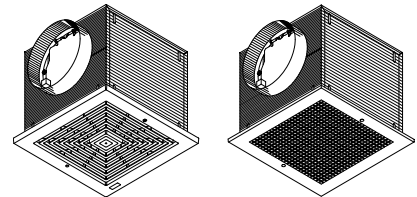
BROAN LIGHT DUTY SERIES- EXHAUST FAN SPECIFICATION SHEET

BROAN

LoSone
Select

SPECIFICATION SHEET

LOSONE SELECT® CEILING MOUNT VENTILATORS L200, L250, L300 SERIES, L300KMG



Incredibly reliable. Unbelievably quiet. Offering the CFM choices you need at the lowest sound levels in the industry.

FEATURES

GRILLE:

- Conceals interior
- Low profile styling blends with any decor
- White polymeric ("MG" models - metal, finished with white painted enamel)

BLOWER:

- Low RPM for quiet operation
- Resilient anti-vibration mounts
- Dynamically-balanced, polymeric, centrifugal blower wheel for quiet, efficient performance (Model L300KMG-metal wheel)
- Permanently lubricated, thermally protected motor
- Plug-in motor rated at 120 VAC
- Designed for continuous operation

HOUSING:

- Rugged, 20 gauge galvanized steel
- 8" round duct connector
- 1/2" acoustic insulation inside (Model L300KMG - no insulation - for kitchen applications)
- May be installed in ceiling or wall (size permitting)
- 8-position mounting brackets for easy installation and greater adaptability to various mounting requirements
- Automatic backdraft damper located within duct connector
- Factory-shipped in horizontal discharge position - easily converted to vertical discharge
- May be installed as an in-line ventilator with addition of accessory kit Model 981L (purchase separately)

ACCESSORIES (purchase all separately):

- Model 57V (Ivory) / 57W (White) 3-Amp, Electronic Variable Speed Control
- Model 59V (Ivory) / 59W (White) 60-Minute Time Control
- Model 61V (Ivory) / 61W (White) 15-Minute Time Control
- Model 71V (Ivory) / 71W (White) 12-Hour Time Control
- 6-Amp, Electronic Variable Speed Controls Model 72V/72W (120 VAC)
- Model 981L In-line Adapter Kit
- Model RD1 Radiation Damper
- Model LAF1 Grease Filter (for Model L300KMG)
- Model 80L Electronic Speed Control (Internal)

TYPICAL SPECIFICATION

Ventilator shall be Broan Model L200, (L200MG), (L250), (L250MG), (L300), (L300KMG).

Ventilator shall have galvanized steel housing insulated with at least 1/2" of acoustic insulation (with no insulation - Model L300KMG). Housing to have adjustable mounting brackets.

Automatic backdraft damper to be located within duct connector. Duct connector, blower assembly, and wiring plate shall be adjustable for either horizontal or vertical installation.

Blower unit shall be removable from housing and will have a polymeric, dynamically balanced centrifugal-type blower wheel. Motor to be permanently lubricated and mounted with resilient anti-vibration mounts. RPM not to exceed number listed for each model.

Air delivery shall be no less and sound levels no greater than listed for each model. All air and sound ratings shall be certified by AMCA. Units to be UL and cUL listed.



Broan-NuTone LLC certifies that the models shown herein are licensed to bear the AMCA Seal. The ratings shown are based on tests and procedures performed in accordance with AMCA Publication 211 (and AMCA Publication 311 if sound is also certified) and comply with the requirements of the AMCA Certified Ratings Program.



Models L200, L250, and L300 are UL listed for use over bathtubs and showers when connected to a GFCI-protected branch circuit.

Broan-NuTone LLC, 926 West State Street, Hartford, Wisconsin 53027 (1-800-637-1453)
Broan-NuTone Canada, 1140 Tristar Drive, Mississauga, Ontario, L5T 1H9 (1-888-882-7626)

REFERENCE	QTY.	REMARKS	Project
			Location
			Architect
			Engineer
			Contractor
			Submitted by Date

60J

99042732J



#2 Chootoo Road, South Aranguez, San Juan, Trinidad





BROAN LIGHT DUTY SERIES- EXHAUST FAN SPECIFICATION SHEET

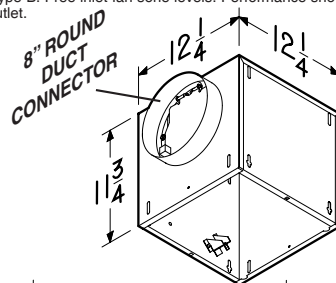
PERFORMANCE RATINGS - LOSONE SELECT® CEILING MOUNT VENTILATORS L200, L250, L300 SERIES, L300KMG

AMCA LICENSED PERFORMANCE

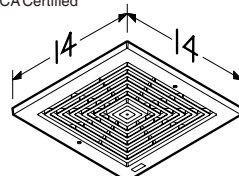
		CFM / SONES - AT STATIC PRESSURES (Ps - inches of H ₂ O)													
MODEL NO.	NOMINAL VOLTAGE		0.0" Ps	.10" Ps	.125" Ps	.250" Ps	.375" Ps	.50" Ps	.625" Ps	.750" Ps	.875" Ps	1.0" Ps	NOMINAL RPM	AMPS @60 Hz	WATTS
L200	120 VAC	CFM Hor.	231	214	210	196	186	177	165	144	113	51	740	1.8	127
		SONES Hor.	1.6	1.8	1.7	2.3	2.9	3.5	4.1	4.9	5.3	5.3			
		CFM Ver.	224	210	207	197	187	179	167	144	99	41	760	1.8	127
		SONES Ver.	1.5	1.8	2.0	2.3	2.7	3.4	4.0	4.5	5.1	5.2			
L200MG	120 VAC	CFM Hor.	237	218	215	199	190	180	167	144	108	47	715	1.8	127
		SONES Hor.	1.4	1.8	1.9	2.4	3.0	3.6	4.2	5.1	5.6	5.5			
		CFM Ver.	228	213	209	198	190	182	168	145	105	56	730	1.8	127
		SONES Ver.	1.5	1.7	1.8	2.3	2.8	3.4	4.1	4.6	5.1	5.2			
L250	120 VAC	CFM Hor.	272	261	259	250	242	233	218	201	165	99	830	2.1	166
		SONES Hor.	2.1	2.3	2.2	2.9	3.3	3.9	4.4	4.8	5.5	5.8			
		CFM Ver.	269	261	259	253	248	239	224	203	171	101	860	2.1	166
		SONES Ver.	2.3	2.6	2.7	3.0	3.3	3.7	4.2	4.7	5.4	5.6			
L250MG	120 VAC	CFM Hor.	280	267	265	254	246	238	224	209	172	105	805	2.1	166
		SONES Hor.	2.1	2.5	2.5	2.9	3.4	3.9	4.3	4.6	5.6	5.9			
		CFM Ver.	275	263	262	255	250	241	229	210	178	105	830	2.1	166
		SONES Ver.	2.2	2.6	2.7	3.0	3.4	3.8	4.3	4.8	5.5	5.8			
L300	120 VAC	CFM Hor.	312	309	308	303	296	287	273	254	219	125	905	2.6	212
		SONES Hor.	2.8	2.9	2.9	3.3	3.5	3.9	4.3	4.7	5.1	5.6			
		CFM Ver.	319	314	313	306	299	288	274	251	219	120	940	2.6	212
		SONES Ver.	2.6	2.9	3.0	3.4	3.6	3.9	4.4	4.7	5.0	5.5			
L300MG	120 VAC	CFM Hor.	323	317	316	312	305	298	283	266	235	153	860	2.6	212
		SONES Hor.	3.0	2.8	3.0	3.2	3.5	3.9	4.3	4.8	5.2	5.7			
		CFM Ver.	322	315	314	308	302	292	278	259	227	119	885	2.6	212
		SONES Ver.	2.4	2.7	2.8	3.3	3.5	3.9	4.3	4.7	5.1	5.5			
L300KMG	120 VAC	CFM Hor.	286	279	277	272	268	261	253	241	222	173	790	2.6	212
		SONES Hor.	2.8	3.0	3.1	3.4	3.8	4.4	4.8	5.1	5.5	6.1			
		CFM Ver.	287	280	277	273	266	259	247	231	208	164	815	2.6	212
		SONES Ver.	3.3	3.6	3.7	4.1	4.7	5.2	5.6	6.3	6.8	6.9			

Performance ratings include the effects of inlet grille and backdraft damper in the airstream. Speed (RPM) shown is nominal. Performance is based on actual speed of test. The sound ratings shown are loudness values in fan sones at 5' (1.5m) in a hemispherical free field calculated per AMCA Std. 301. Values shown are for Installation Type B: Free inlet fan sone levels. Performance shown is for Installation Type B: Free inlet, Ducted outlet.

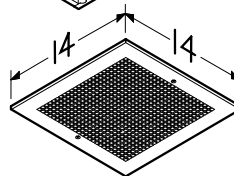
"Broan-NuTone LLC certifies that the models shown herein are licensed to bear the AMCA Seal. The ratings shown are based on tests and procedures performed in accordance with AMCA Publication 211 (and AMCA Publication 311 if sound is also certified) and comply with the requirements of the AMCA Certified Ratings Program."



Models L200, L250, and L300 are UL listed for use over bathtubs and showers when connected to a GFCI-protected branch circuit.



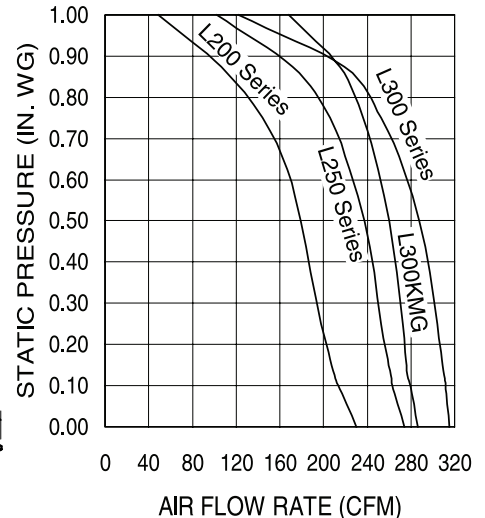
POLYMERIC GRILLE
MODELS
L200, L250,
L300



METAL GRILLE
MODELS
L200MG, L250MG,
L300MG, L300KMG



Broan-NuTone LLC, 926 West State Street, Hartford, Wisconsin 53027 (1-800-637-1453)
Broan-NuTone Canada, 1140 Tristar Drive, Mississauga, Ontario, L5T 1H9 (1-888-882-7626)



WEIGHT

MODEL NO.	SHIPPING WT.
L200	23.0 lbs.
L250, L300	23.1 lbs.
L200MG	23.9 lbs.
L250MG, L300MG	24.0 lbs.
L300KMG	25.2 lbs.



#2 Chootoo Road, South Aranguez, San Juan, Trinidad



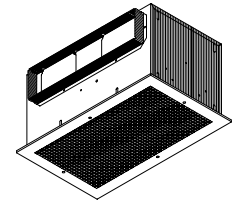


BROAN LIGHT DUTY SERIES- EXHAUST FAN SPECIFICATION SHEET

BROAN

LoSone
Select SPECIFICATION SHEET

LOSONE SELECT® CEILING MOUNT VENTILATORS L400, L500, L700 SERIES



Incredibly reliable. Unbelievably quiet. Offering the CFM choices you need at the lowest sound levels in the industry.

FEATURES

GRILLE:

- Conceals interior
- Low profile styling blends with any decor
- Metal, finished with white painted enamel

BLOWER:

- Low RPM for quiet operation
- Resilient anti-vibration mounts
- Balanced, polymeric, centrifugal blower wheel for quiet, efficient performance (Models L400K & L500K - metal wheels)
- Permanently lubricated, thermally protected motor
- Plug-in motor rated at 120 VAC
- Designed for continuous operation

HOUSING:

- Rugged, 20 gauge galvanized steel
- 4½" x 18½" duct connector
- 1/2" acoustic insulation inside (Models L400K & L500K - no insulation - for kitchen applications)
- May be installed in ceiling or wall (size permitting)
- 8-position mounting brackets for easy installation and greater adaptability to various mounting requirements
- Automatic backdraft damper located within duct connector
- Factory-shipped in horizontal discharge position - easily converted to vertical discharge
- May be installed as an in-line ventilator with addition of accessory kit Model 982L (purchase separately)

ACCESSORIES (purchase all separately):

- Model 57V (Ivory) / 57W (White) 3 amp Electronic Variable Speed Control
- Model 59V (Ivory) / 59W (White) 60-Minute Time Control
- Model 61V (Ivory) / 61W (White) 15-Minute Time Control
- Model 80L Electronic Speed Control (Internal)

TYPICAL SPECIFICATION

Ventilator shall be Broan Model L400, (L400K), (L500), (L500K), (L700).

Ventilator shall have galvanized steel housing insulated with at least 1/2" of acoustic insulation (with no insulation - Models L400K & L500K). Housing to have adjustable mounting brackets.

Automatic backdraft damper to be located within duct connector. Duct connector, blower assembly, and wiring plate shall be adjustable for either horizontal or vertical installation.

Blower unit shall be removable from housing and will have a polymeric (metal - Models L400K & L500K), balanced centrifugal-type blower wheel. Motor to be permanently lubricated and mounted with resilient anti-vibration mounts. RPM not to exceed number listed for each model.

Air delivery shall be no less and sound levels no greater than listed for each model. All air and sound ratings shall be certified by AMCA. Units to be UL and cUL listed.



"Broan-NuTone LLC certifies that the models shown herein are licensed to bear the AMCA Seal. The ratings shown are based on tests and procedures performed in accordance with AMCA Publication 211 (and AMCA Publication 311 if sound is also certified) and comply with the requirements of the AMCA Certified Ratings Program"



Broan-NuTone LLC, 926 West State Street, Hartford, Wisconsin 53027 (1-800-637-1453)
Broan-NuTone Canada, 1140 Tristar Drive, Mississauga, Ontario, L5T 1H9 (1-888-882-7626)

REFERENCE	QTY.	REMARKS	Project	
			Location	
			Architect	
			Engineer	
			Contractor	
			Submitted by	Date

50G

99042734E



#2 Chootoo Road, South Aranguéz, San Juan, Trinidad





BROAN LIGHT DUTY SERIES- EXHAUST FAN SPECIFICATION SHEET

PERFORMANCE RATINGS - LOSONE SELECT® CEILING MOUNT VENTILATORS L400, L500, L700 SERIES

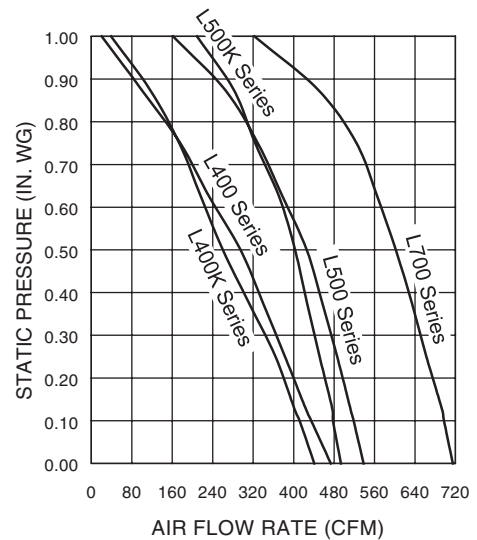
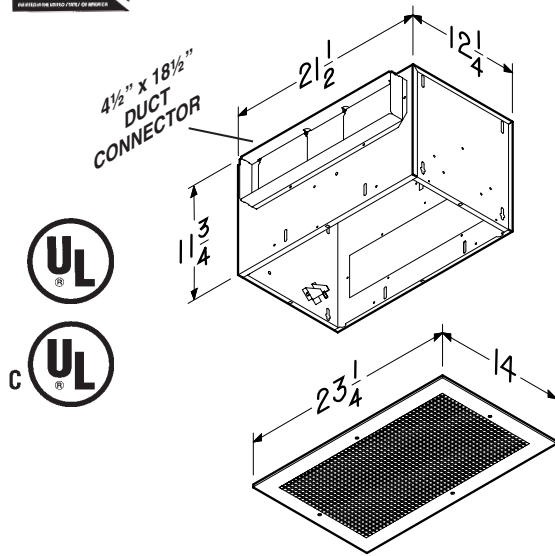
AMCA LICENSED PERFORMANCE

MODEL NO.	NOMINAL VOLTAGE		CFM / SONES - AT STATIC PRESSURES (Ps - inches of H ₂ O)										NOMINAL RPM	AMPS @60 Hz	WATTS
			0.0" Ps	.10" Ps	.125" Ps	.250" Ps	.375" Ps	.50" Ps	.625" Ps	.750" Ps	.875" Ps	1.0" Ps			
L400	120 VAC	CFM Hor.	480	442	434	388	344	299	229	182	114	33	735	1.4	146
		SONES Hor.	2.0	2.4	2.3	2.8	3.3	3.8	4.5	4.8	5.4	5.6			
		CFM Ver.	467	428	416	378	335	291	237	170	85	8	755	1.4	146
		SONES Ver.	2.3	2.6	2.6	3.0	3.5	4.0	5.1	5.5	5.7	5.9			
L400K	120 VAC	CFM Hor.	442	415	406	370	330	274	230	191	130	50	675	1.4	146
		SONES Hor.	2.9	3.2	3.3	3.8	4.4	5.3	6.0	6.5	6.8	7.2			
		CFM Ver.	440	409	399	358	294	246	203	157	102	28	680	1.4	146
		SONES Ver.	2.9	3.4	3.3	4.0	5.0	6.1	6.3	6.8	7.1	7.2			
L500	120 VAC	CFM Hor.	538	520	514	491	463	434	389	339	282	186	810	2.2	232
		SONES Hor.	3.0	3.1	3.3	3.6	4.0	4.4	5.0	5.7	6.2	6.7			
		CFM Ver.	539	517	512	481	451	418	367	319	247	137	865	2.2	232
		SONES Ver.	2.9	3.1	3.2	3.4	3.8	4.2	4.8	5.9	6.3	6.4			
L500K	120 VAC	CFM Hor.	506	484	481	460	435	418	389	337	301	231	700	2.2	232
		SONES Hor.	4.3	4.3	4.4	5.0	5.6	6.2	7.0	7.6	8.0	8.3			
		CFM Ver.	481	472	473	443	418	388	353	311	262	187	705	2.2	232
		SONES Ver.	3.6	3.9	4.0	4.5	5.6	6.1	6.7	8.4	8.1	8.6			
L700	120 VAC	CFM Hor.	722	704	701	667	640	607	571	534	453	333	960	2.9	313
		SONES Hor.	4.5	4.6	4.7	4.8	5.0	5.2	5.6	6.2	7.1	7.2			
		CFM Ver.	708	691	687	658	628	597	560	515	444	312	985	2.9	313
		SONES Ver.	5.2	5.0	5.0	5.7	5.8	6.1	6.4	7.4	7.1	7.6			

Performance ratings include the effects of inlet grille and backdraft damper in the airstream. Speed (RPM) shown is nominal. Performance is based on actual speed of test. The sound ratings shown are loudness values in fan sones at 5' (1.5m) in a hemispherical free field calculated per AMCA Std. 301. Values shown are for Installation Type B: Free inlet, Ducted outlet. Performance shown is for Installation Type B: Free inlet, Ducted outlet.



"Broan-NuTone LLC certifies that the models shown herein are licensed to bear the AMCA Seal. The ratings shown are based on tests and procedures performed in accordance with AMCA Publication 211 (and AMCA Publication 311 if sound is also certified) and comply with the requirements of the AMCA Certified Ratings Program."



WEIGHT

MODEL NO.	SHIPPING WT.
L400 L500	33.8 lbs.
L400K, L500K	36.2 lbs.
L700	33.9 lbs.



Broan-NuTone LLC, 926 West State Street, Hartford, Wisconsin 53027 (1-800-637-1453)
Broan-NuTone Canada, 1140 Tristar Drive, Mississauga, Ontario, L5T 1H9 (1-888-882-7626)



#2 Chootoo Road, South Aranguez, San Juan, Trinidad



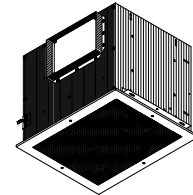


BROAN LIGHT DUTY SERIES- EXHAUST FAN SPECIFICATION SHEET

BROAN

LoSone
Select SPECIFICATION SHEET

LOSONE SELECT® CEILING MOUNT VENTILATORS L900 SERIES & L1500 SERIES



Incredibly reliable. Unbelievably quiet. Offering the CFM choices you need at the lowest sound levels in the industry.

FEATURES

GRILLE:

- Conceals interior
- Low profile styling blends with any decor
- Metal, finished with white painted enamel

BLOWER:

- Low RPM for quiet operation
- Resilient anti-vibration mounts
- Dynamically-balanced, polymeric, centrifugal blower wheel for quiet, efficient performance
- Permanently lubricated, thermally protected motor
- Plug-in motor rated at 120 VAC
- Designed for continuous operation

HOUSING:

- Rugged, 20 gauge galvanized steel
- 1/2" acoustic insulation inside
- May be installed in ceiling or wall (size permitting)
- 8-position mounting brackets for easy installation and greater adaptability to various mounting requirements
- Automatic backdraft damper located within duct connector
- Factory-shipped in horizontal discharge position for 8" x 12" ductwork
- May be converted to vertical discharge
- May be installed as an in-line ventilator with addition of accessory kit Model 983L (purchase separately)

ACCESSORIES (purchase all separately):

- Model 57V (Ivory) / 57W (White) Electronic Variable Speed Control
- Model 59V (Ivory) / 59W (White) 60-Minute Time Control
- Model 80L Electronic Speed Control (Internal) (For use with L900 Series only.)

ACCESSORIES (continued):

- Model 61V (Ivory) / 61W (White) 15-Minute Time Control
- Model 71V (Ivory) / 71W (White) 12-Hour Time Control
- 6-Amp, Electronic Variable Speed Controls Model 72V/72W (120 VAC)
- Model T81212 Transition (8" x 12" to 12" round)
- Model RD3 Radiation Damper

TYPICAL SPECIFICATION

Ventilator shall be Broan Model L900, (L1500).

Ventilator shall have galvanized steel housing insulated with at least 1/2" of acoustic insulation. Housing to have adjustable mounting brackets.

Automatic backdraft damper to be located within duct connector. Duct connector, blower assembly and wiring plate shall be adjustable for either horizontal or vertical installation.

Blower unit shall be removable from housing and will have a polymeric, centrifugal-type blower wheel. Motor to be permanently lubricated and mounted with resilient anti-vibration mounts. RPM not to exceed number listed for each model.

Air delivery shall be no less and sound levels no greater than listed for each model. All air and sound ratings shall be certified by AMCA. Units to be UL and cUL listed.



"Broan-NuTone LLC certifies that the models shown herein are licensed to bear the AMCA Seal. The ratings shown are based on tests and procedures performed in accordance with AMCA Publication 211 (and AMCA Publication 311 if sound is also certified) and comply with the requirements of the AMCA Certified Ratings Program"



Broan-NuTone LLC, 926 West State Street, Hartford, Wisconsin 53027 (1-800-637-1453)
Broan-NuTone Canada, 1140 Tristar Drive, Mississauga, Ontario, L5T 1H9 (1-888-882-7626)

REFERENCE	QTY.	REMARKS	Project
			Location
			Architect
			Engineer
			Contractor
			Submitted by Date

50G 99042775E



#2 Chootoo Road, South Aranguéz, San Juan, Trinidad





BROAN LIGHT DUTY SERIES- EXHAUST FAN SPECIFICATION SHEET

PERFORMANCE RATINGS - LOSONE SELECT® CEILING MOUNT VENTILATORS L900 SERIES & L1500 SERIES

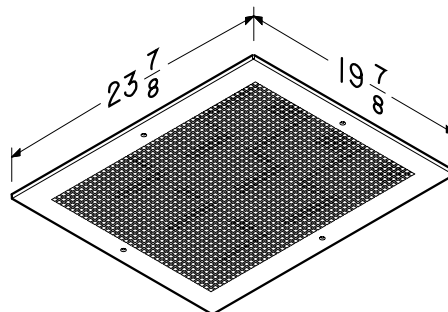
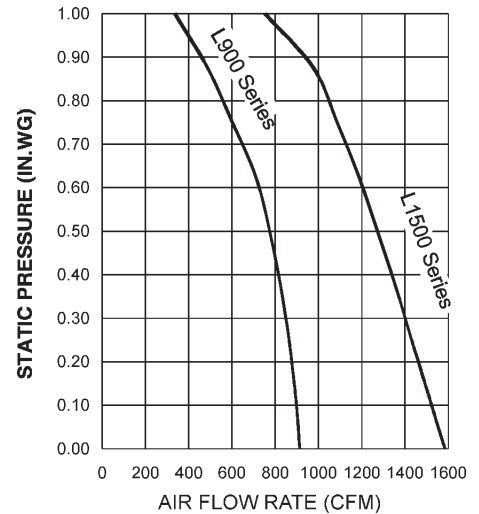
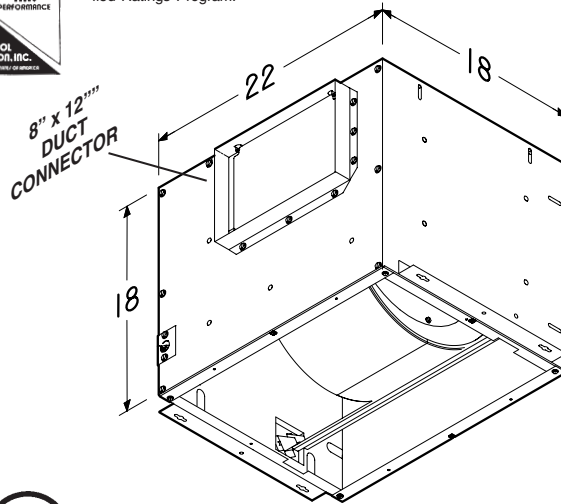
AMCA LICENSED PERFORMANCE

MODEL NO.	NOMINAL VOLTAGE		CFM / SONES - AT STATIC PRESSURES (Ps - inches of H ₂ O)										NOMINAL RPM	AMPS @60 Hz	WATTS
			0.0" Ps	.10" Ps	.125" Ps	.250" Ps	.375" Ps	.50" Ps	.625" Ps	.750" Ps	.875" Ps	1.0" Ps			
L900	120 VAC	CFM Hor.	918	905	901	877	842	793	725	636	536	390	650	3.0	306
		SONES Hor.	3.8	4.0	4.1	4.0	4.2	4.3	4.4	4.9	4.5	5.3			
		CFM Ver.	909	892	885	850	807	756	695	568	440	282			
L1500	120 VAC	SONES Ver.	3.8	3.4	3.4	3.5	3.6	3.7	3.9	4.2	4.3	4.4	955	5.0	468
		CFM Hor.	1578	1526	1513	1438	1371	1285	1198	1103	1000	816			
		SONES Hor.	8.6	8.4	8.4	8.1	7.5	7.0	6.7	6.2	5.8	5.8			
		CFM Ver.	1590	1519	1502	1423	1340	1259	1176	1069	954	689	955	5.0	468
		SONES Ver.	8.5	8.4	8.4	8.1	7.9	7.5	7.2	7.1	6.9	6.5			

Performance ratings include the effects of inlet grille and backdraft damper in the airstream. Speed (RPM) shown is nominal. Performance is based on actual speed of test. The sound ratings shown are loudness values in fan sones at 5' (1.5m) in a hemispherical free field calculated per AMCA Std. 301. Values shown are for Installation Type B: Free inlet, Ducted outlet.



"Broan-NuTone LLC certifies that the models shown herein are licensed to bear the AMCA Seal. The ratings shown are based on tests and procedures performed in accordance with AMCA Publication 211 (and AMCA Publication 311 if sound is also certified) and comply with the requirements of the AMCA Certified Ratings Program."



WEIGHT

MODEL NO.	SHIPPING WT.
L900	64.2 lbs.
L1500	64.3 lbs.



Broan-NuTone LLC, 926 West State Street, Hartford, Wisconsin 53027 (1-800-637-1453)
Broan-NuTone Canada, 1140 Tristar Drive, Mississauga, Ontario, L5T 1H9 (1-888-882-7626)



#2 Chootoo Road, South Aranguéz, San Juan, Trinidad



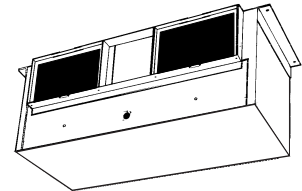


BROAN LIGHT DUTY SERIES- EXHAUST FAN SPECIFICATION SHEET

BROAN

LoSone
Select SPECIFICATION SHEET

LOSONE SELECT® IN-LINE VENTILATORS MODELS L2000L & L3500EXL



Incredibly reliable. Unbelievably quiet. Offering the CFM choices you need.

FEATURES

BLOWER:

- Low RPM for quiet operation
- Resilient anti-vibration mounts
- Dynamically-balanced, metal, centrifugal blower wheels for quiet, efficient performance
- Permanently lubricated, thermally protected motor
- Plug-in motor rated at 120 VAC (Model L3500EXL - 240 VAC)
- Designed for continuous operation

HOUSING:

- Rugged galvanized steel
- May be installed in ceiling or wall (size permitting)
- Acoustic insulation inside
- 8-position mounting brackets for easy installation and greater adaptability to various mounting requirements
- Factory-shipped in horizontal discharge position - may be converted to vertical discharge

CONTROLS:

- Model 59V (Ivory) / 59W (White) 60-Minute Time Control
- Model 61V (Ivory) / 61W (White) 15-Minute Time Control
- Model 71V (Ivory) / 71W (White) 12-Hour Time Control
- Electronic Variable Speed Controls
Model 72V (Ivory) / 72W (White) 6-Amp, 120 VAC
Model 75V (Ivory) 6-Amp, 240 VAC

ACCESSORIES:

- For Model L2000L:
Model G102 Grille Kit for ceiling applications
Model D100 Damper Kit with twin backdraft flaps
Model V104 Vibration Damper Hangers - 4 per set
- For Model L3500EXL:
Model G103 Grille Kit for ceiling applications
Model D101 Damper Kit with twin backdraft flaps
Model V104 Vibration Damper Hangers - 4 per set

TYPICAL SPECIFICATION

Ventilator shall be Broan Model L2000L, (L3500EXL).

Ventilator shall have galvanized steel housing lined with acoustic insulation. Housing to have adjustable mounting brackets.

Automatic backdraft dampers to be located within duct connector. Duct connector, blower assembly and wiring plate shall be adjustable for either horizontal or vertical installation.

Blower unit shall be removable from housing and will have a metal, centrifugal-type blower wheels. Motor to be permanently lubricated and mounted with resilient anti-vibration mounts. RPM not to exceed number listed for each model.

Air delivery shall be no less and sound levels no greater than listed for each model. All air and sound ratings shall be certified by AMCA. Units to be UL listed.



"Broan-NuTone LLC certifies that the models shown herein are licensed to bear the AMCA Seal. The ratings shown are based on tests and procedures performed in accordance with AMCA Publication 211 (and AMCA Publication 311 if sound is also certified) and comply with the requirements of the AMCA Certified Ratings Program"



Broan-NuTone LLC, 926 West State Street, Hartford, WI 53027 (1-800-637-1453)
Broan-NuTone Canada, Inc., 1140 Tristar Drive, Mississauga, Ontario, L5T 1H9 (1-888-882-7626)

REFERENCE	QTY.	REMARKS	Project
			Location
			Architect
			Engineer
			Contractor
			Submitted by Date

50G 99042777D



#2 Chootoo Road, South Aranguéz, San Juan, Trinidad





BROAN LIGHT DUTY SERIES- EXHAUST FAN SPECIFICATION SHEET

PERFORMANCE RATINGS - LOSONE SELECT® IN-LINE VENTILATORS MODELS L2000L & L3500EXL

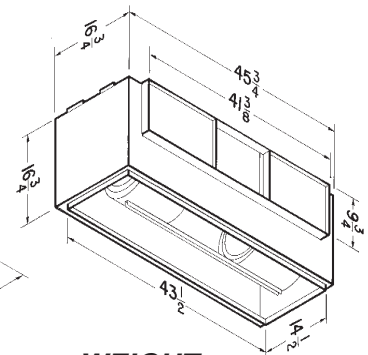
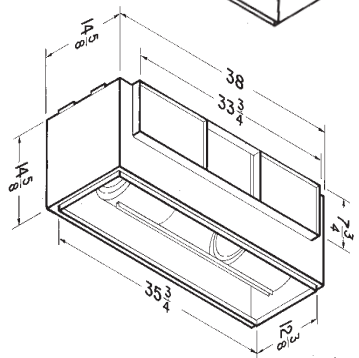
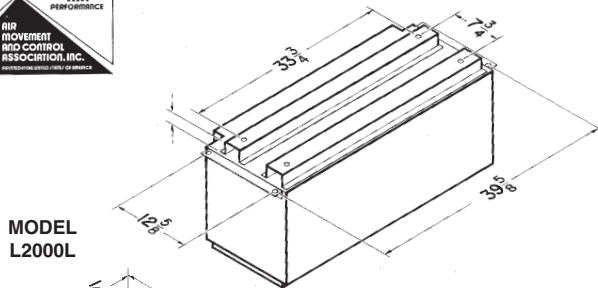
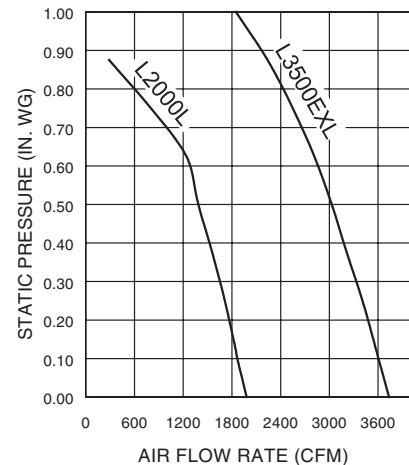
AMCA LICENSED PERFORMANCE

		CFM / SONES - AT STATIC PRESSURES (Ps - inches of H ₂ O)														
MODEL NO.	NOMINAL VOLTAGE		0.0" Ps	.10" Ps	.125" Ps	.250" Ps	.375" Ps	.50" Ps	.625" Ps	.750" Ps	.875" Ps	1.0" Ps	NOMINAL RPM	AMPS @60 Hz	WATTS	
L2000L	120 VAC	CFM St. Thr.	1891	1803	1791	1657	1508	1347	1165	808	284		965	5.8	590	
		SONES St. Thr.	10.3	9.8	9.4	9.0	8.6	9.1	8.9	7.0	6.7					
		CFM Rt. Ang.	2070	1931	1898	1769	1609	1424	1314	795	288		1020	5.8	635	
		SONES Rt. Ang.	11.1	10.3	10.1	9.7	9.4	9.2	8.5	7.0	6.7					
L3500EXL	240 VAC	CFM St. Thr.	3605	3498	3452	3278	3073	2893	2679	2429	2093	1693	1105	5.4	1204	
		SONES St. Thr.	15.3	14.8	14.5	14.1	13.1	12.8	12.1	11.8	11.9	10.8				
		CFM Rt. Ang.	3868	3714	3696	3537	3356	3168	2951	2671	2384	2005		1110	5.4	1205
		SONES Rt. Ang.	14.6	14.2	14.2	13.3	12.8	12.5	11.6	11.4	11.4	13.4				

Performance ratings do not include the effects of appurtenances in the airstream. Speed (RPM) shown is nominal. Performance is based on actual speed of test. The sound ratings shown are loudness values in fan sones at 5' (1.5m) in a hemispherical free field calculated per AMCA Std. 301. Values shown are for Installation Type D: Ducted inlet, Ducted outlet. Ratings do not include the effect of duct end correction. Performance shown is for Installation Type D: Ducted inlet, Ducted outlet.



"Broan-NuTone LLC certifies that the models shown herein are licensed to bear the AMCA Seal. The ratings shown are based on tests and procedures performed in accordance with AMCA Publication 211 (and AMCA Publication 311 if sound is also certified) and comply with the requirements of the AMCA Certified Ratings Program."



MODEL NO.	SHIPPING WT.
L2000L	89 lbs.
L3500EXL	144 lbs.



Broan-NuTone LLC, 926 West State Street, Hartford, WI 53027 (1-800-637-1453)
Broan-NuTone Canada, Inc., 1140 Tristar Drive, Mississauga, Ontario, L5T 1H9 (1-888-882-7626)