

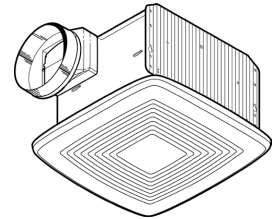


BROAN QT SERIES- BATHROOM EXHAUST FAN SPECIFICATION SHEET



SPECIFICATION SHEET

MODEL QT130E VENTILATION FAN



DESCRIPTION

BLOWER:

- Plug-in, permanently lubricated motor - engineered for continuous operation
- Dynamically balanced centrifugal blower wheel for quiet, efficient performance
- Low RPM for quiet operation
- Resilient anti-vibration motor mounts

HOUSING:

- Rugged, 26 gauge, galvanized steel construction
- Polymeric, 6" round duct connector with tapered sleeve and no metallic clatter
- 6" round to 4" round duct reducer included - allows connection of 4" round ductwork
- 7-5/8" height allows for 2" x 8" ceiling installations
- Sturdy, easy, four-point mounting directly to joist
- Includes unique spacer (patented) for mounting to engineered "I" joists
- Can be mounted in ceilings up to 12/12 pitch

GRILLE:

- Polymeric construction
- Innovative design - the result of extensive research with designers and consumers

CONTROLS (Purchase separately):

- Refer to Broan's catalog for a complete line of accessories to effectively adapt these fans to your construction requirements.

U.L. Listed for use over bathtubs and showers when connected to a GFCI protected branch circuit (ceiling mount only).

Can be used to comply with California Title 24.

3-Year Warranty

TYPICAL SPECIFICATION

- Fan shall be Broan Model QT130E.
- Fan shall have corrosion resistant galvanized steel housing with four-point mounting capability. It shall be ducted to a roof or wall cap using 6" round or 4" round ductwork.
- Blower assembly shall be removable, have a centrifugal-type blower wheel, a permanently lubricated motor designed for continuous operation, and mounted with resilient anti-vibration mounts.
- 6" round non-metallic damper/duct connector and 6" round to 4" round duct reducer shall be included.
- Air delivery shall be no less than 130 CFM and sound level no greater than 1.5 Sones when using 6" duct connector (130 CFM / 2.0 Sones when using 6" round to 4" round duct reducer). All air and sound ratings shall be certified by HVI.
- Fan shall be ENERGY STAR® qualified and have an energy efficient permanent split capacitor motor.
- Fan shall be U.L. Listed for use over bathtubs and showers when connected to a GFCI protected branch circuit.



Broan-NuTone LLC Hartford, Wisconsin www.broan.com 800-558-1711

REFERENCE	QTY.	REMARKS	Project
			Location
			Architect
			Engineer
			Contractor
			Submitted by Date

41H 99044835B



#2 Chootoo Road, South Aranguez, San Juan, Trinidad





BROAN QT SERIES- BATHROOM EXHAUST FAN SPECIFICATION SHEET

PERFORMANCE RATINGS MODEL QT130E FAN

HVI PERFORMANCE

Model	Static Pressure (Ps)	CFM	Sones	Fan Watts	
QT130E	0.10	130	1.5	49.0	with 6" round duct connector
	0.25	114			
	0.10	130	2.0	49.0	with 6" round to 4" round duct reducer
	0.25	114			



HVI-2100 CERTIFIED RATINGS comply with new testing technologies and procedures prescribed by the Home Ventilating Institute, for off-the-shelf products, as they are available to consumers. Product performance is rated at 0.1 in. static pressure, based on tests conducted in a state-of-the-art test laboratory. Sones are a measure of humanly-perceived loudness, based on laboratory measurements.

AMPS

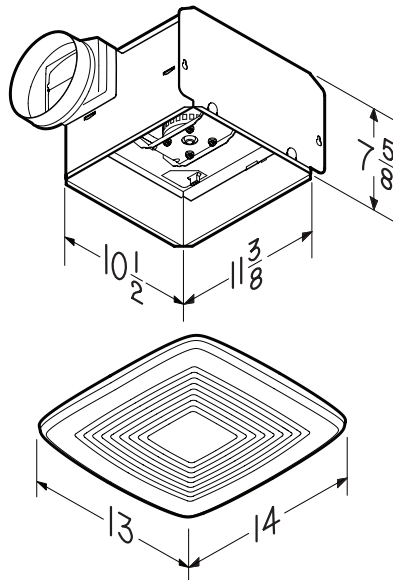
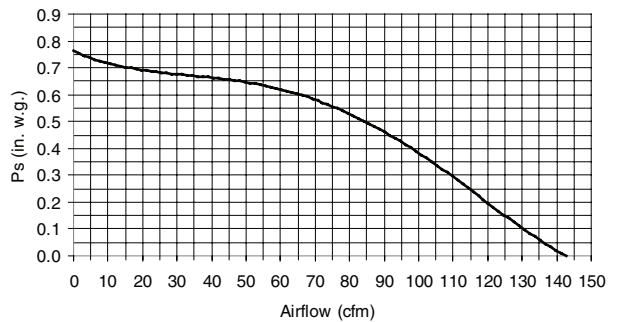
Model	Amps
QT130E	0.7

WEIGHT

Model	Shipping Weight
QT130E	9.8 lbs.

AIR FLOW PERFORMANCE

MODEL QT130E
Using 6" round duct or 4" round duct



Broan-NuTone LLC Hartford, Wisconsin www.broan.com 800-558-1711



#2 Chootoo Road, South Aranguez, San Juan, Trinidad



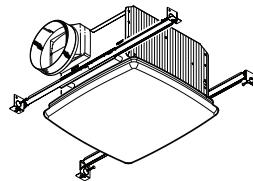


BROAN QT SERIES- BATHROOM EXHAUST FAN SPECIFICATION SHEET

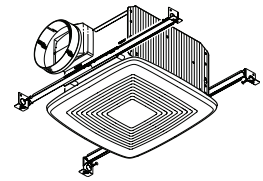
BROAN®

SPECIFICATION SHEET

QTXE SERIES FANS



MODEL QTXE090C



MODELS QTXE080,
QTXE110, QTXE1102

Ultra-quiet, high performance bath fan with a modern-styled grille.

FEATURES

BLOWER:

- Plug-in, permanently lubricated motor - engineered for continuous operation
- Dynamically balanced centrifugal blower wheel for quiet, efficient performance
- Maintains a high percentage of rated CFM in less than ideal installations
- Low RPM for quiet operation

HOUSING:

- Rugged, galvanized steel construction
- 6" round ducting for superior performance
- Polymeric duct connector with tapered sleeve and no metallic clatter
- 7-5/8" height allows for 2" x 8" (nominal) joist installations
- Sturdy, easy, four-point mounting directly to joist
- Includes unique, patented spacer for mounting to engineered "I" joists
- Includes hanger bars to position housing anywhere between 16" to 24"-on-center joists
- Two sets of mounting holes for hanger bars allow flush installation with bottom or top of drywall
- Can be mounted in ceilings up to 12/12 pitch

GRILLE:

- Polymeric construction
- Innovative design - the result of extensive research with designers and consumers

CONTROLS (Purchase separately):

- Refer to Broan's catalog for a complete line of accessories to effectively adapt these fans to your construction requirements.

U.L. Listed for use over bathtubs and showers when connected to a GFCI protected branch circuit (ceiling mount only).

3-Year Warranty

TYPICAL SPECIFICATION

Fan shall be Broan Model QTXE080 (QTXE090C) (QTXE110) (QTXE1102).

Fan shall have corrosion resistant galvanized steel housing with four-point mounting capability. It shall be ducted to a roof or wall cap using 6" round ductwork.

Blower assembly shall be removable, have a centrifugal-type blower wheel and a permanently lubricated motor designed for continuous operation.

Non-metallic damper/duct connector shall be included.

Air delivery shall be no less than 80 (90) (110) CFM and sound level no greater than 0.3 (0.6) (0.7) Sones. All air and sound ratings shall be certified by HVI.

Fan shall be ENERGY STAR® qualified and have an energy efficient permanent split capacitor motor.

Fan shall be U.L. Listed for use over bathtubs and showers when connected to a GFCI protected branch circuit (ceiling mount only).



Broan Hartford, Wisconsin www.broan.com 800-558-1711

REFERENCE	QTY.	REMARKS	Project
			Location
			Architect
			Engineer
			Contractor
			Submitted by Date

71J 99045468E



#2 Chootoo Road, South Aranguez, San Juan, Trinidad





BROAN QT SERIES- BATHROOM EXHAUST FAN SPECIFICATION SHEET

PERFORMANCE RATINGS - QTXE SERIES FANS

HVI PERFORMANCE

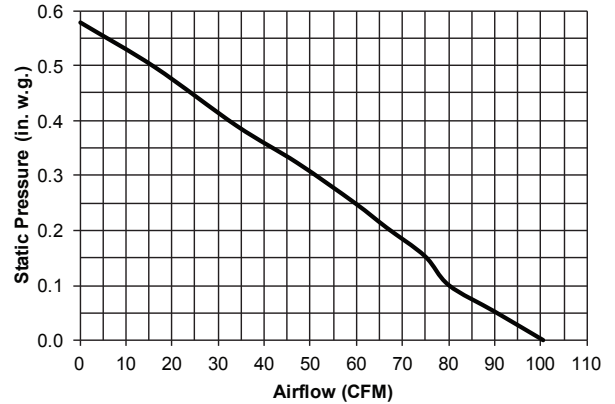
Model	Static Pressure (Ps)	CFM	Sones	Watts
QTXE080	0.10	80	0.3	23.3
	0.25	56		
QTXE090C	0.10	90	0.6	25.7
	0.25	67		
QTXE110	0.10	110	0.7	31.4
QTXE1102	0.25	86		



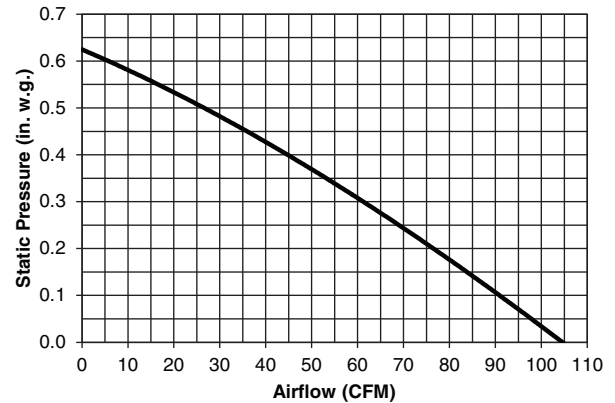
HVI-2100 CERTIFIED RATINGS comply with new testing technologies and procedures prescribed by the Home Ventilating Institute, for off-the-shelf products, as they are available to consumers. Product performance is rated at 0.1 in. static pressure, based on tests conducted in a state-of-the-art test laboratory. Sones are a measure of humanly-perceived loudness, based on laboratory measurements.

AIR FLOW PERFORMANCE

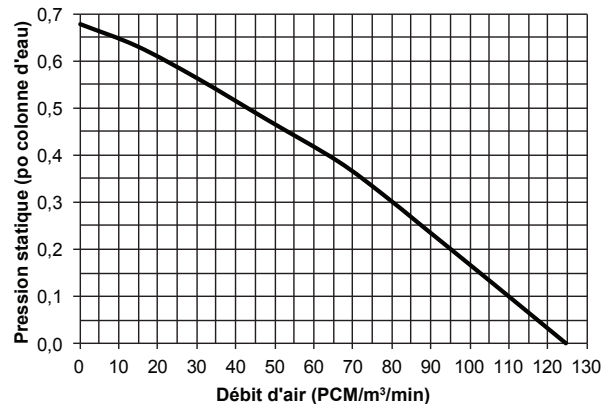
MODEL QTXE080



MODEL QTXE090C



MODELS QTXE110, QTXE1102

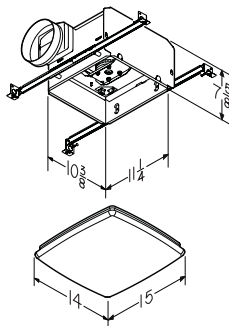


AMPS

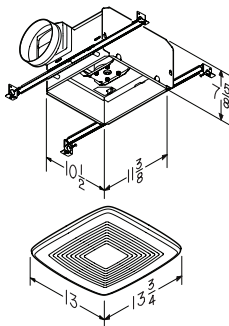
Model	Amps
QTXE080	0.2
QTXE090C	0.3
QTXE110	0.3
QTXE1102	

WEIGHT

Model	Shipping Weight
QTXE080	12.0 lbs.
QTXE090C	13.2 lbs.
QTXE110	12.0 lbs.
QTXE1102	



MODEL QTXE090C



MODELS QTXE080, QTXE110, QTXE1102



Broan Hartford, Wisconsin www.broan.com 800-558-1711



#2 Chootoo Road, South Aranguéz, San Juan, Trinidad



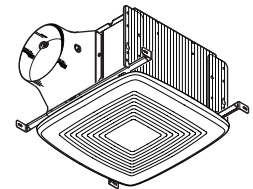


BROAN QT SERIES- BATHROOM EXHAUST FAN SPECIFICATION SHEET



SPECIFICATION SHEET

MODEL QTXE150 VENTILATION FAN



Ultra-quiet, high performance bath fan with a modern-styled grille.

FEATURES

BLOWER:

- Plug-in, permanently lubricated motor - engineered for continuous operation
- Dynamically balanced centrifugal blower wheel for quiet, efficient performance
- Low RPM for quiet operation
- Airflow-smoothing baffles reduce turbulence

HOUSING:

- Rugged, galvanized steel construction
- 6" round duct connector with tapered sleeve and no metallic clatter
- 7-5/8" height allows for 2" x 8" ceiling installations
- Sturdy, easy, four-point mounting directly to joist
- Includes unique, patented spacer for mounting to engineered "I" joists
- Includes hanger bars to position housing anywhere between 16" to 24"-on-center joists
- Can be mounted in ceilings up to 12/12 pitch

GRILLE:

- Polymeric construction
- Innovative design - the result of extensive research with designers and consumers

CONTROLS (Purchase separately):

- Refer to Broan's catalog for a complete line of accessories to effectively adapt these fans to your construction requirements.

U.L. Listed for use over bathtubs and showers when connected to a GFCI protected branch circuit (ceiling mount only).

3-Year Warranty

TYPICAL SPECIFICATION

Fan shall be Broan Model QTXE150.

Fan shall have corrosion resistant galvanized steel housing with four-point mounting capability. It shall be ducted to a roof or wall cap using 6" round ductwork.

Blower assembly shall be removable, have a centrifugal-type blower wheel and a permanently lubricated motor designed for continuous operation.

6" round damper/duct connector shall be included.

Air delivery shall be no less than 150 CFM and sound level no greater than 1.4 Sones. All air and sound ratings shall be certified by HVI.

Fan shall be ENERGY STAR® qualified and have an energy efficient permanent split capacitor motor.

Fan shall be U.L. Listed for use over bathtubs and showers when connected to a GFCI protected branch circuit (ceiling mount only).



Broan-NuTone LLC Hartford, Wisconsin www.broan.com 800-558-1711

REFERENCE	QTY.	REMARKS	Project
			Location
			Architect
			Engineer
			Contractor
			Submitted by Date

51H 99045448A



#2 Chootoo Road, South Aranguéz, San Juan, Trinidad





BROAN QT SERIES- BATHROOM EXHAUST FAN SPECIFICATION SHEET

PERFORMANCE RATINGS MODEL QTXE150 FAN

HVI PERFORMANCE

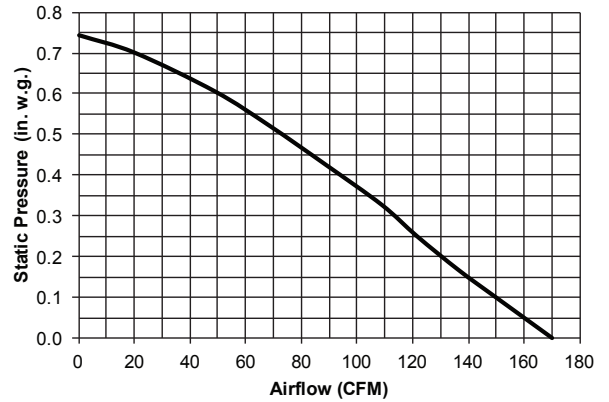
Model	Static Pressure (Ps)	CFM	Sones	Fan Watts
QTXE150	0.10	150	1.4	42.8
	0.25	120		



HVI-2100 CERTIFIED RATINGS comply with new testing technologies and procedures prescribed by the Home Ventilating Institute, for off-the-shelf products, as they are available to consumers. Product performance is rated at 0.1 in. static pressure, based on tests conducted in a state-of-the-art test laboratory. Sones are a measure of humanly-perceived loudness, based on laboratory measurements.

AIR FLOW PERFORMANCE

MODEL QTXE150

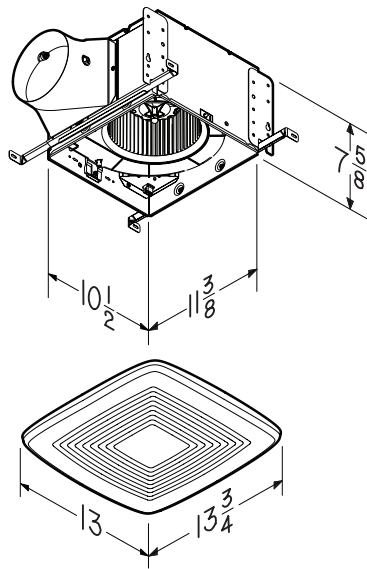


AMPS

Model	Amps
QTXE150	0.5

WEIGHT

Model	Shipping Weight
QTXE150	13.1 lbs



Broan-NuTone LLC | Hartford, Wisconsin | www.broan.com | 800-558-1711



#2 Chootoo Road, South Aranguéz, San Juan, Trinidad



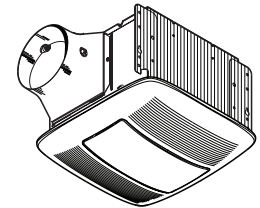


BROAN QT SERIES- BATHROOM EXHAUST FAN SPECIFICATION SHEET



SPECIFICATION SHEET

MODEL QT140LE FAN / LIGHT / NIGHT LIGHT



DESCRIPTION

BLOWER:

- Plug-in, permanently lubricated motor - engineered for continuous operation
- Dynamically balanced centrifugal blower wheel for quiet, efficient performance
- Low RPM for quiet operation
- Airflow-smoothing baffles reduce turbulence

HOUSING:

- Rugged, galvanized steel construction
- 6" round duct connector with tapered sleeve and no metallic clatter
- 6" round to 4" round duct reducer included - allows connection of 4" round ductwork
- 7-5/8" height allows for 2" x 8" ceiling installations
- Sturdy, easy, four-point mounting directly to joist
- Includes unique spacer (patented) for mounting to engineered "I" joists
- Can be mounted in ceilings up to 12/12 pitch

GRILLE:

- Polymeric construction
- Innovative design - the result of extensive research with designers and consumers
- Energy efficient lighting - (2) 18W (max.) high efficiency, type GU24 based fluorescent bulbs (included), and 4W (max) type C7 night light bulb (included)
- Durable steel reflector with white enamel finish

CONTROLS (Purchase separately):

- Refer to Broan's catalog for a complete line of accessories to effectively adapt these fans to your construction requirements.

U.L. Listed for use over bathtubs and showers when connected to a GFCI protected branch circuit (ceiling mount only).

U.L. Listed for use in insulated ceilings (Type I.C.)

3-Year Warranty

TYPICAL SPECIFICATION

Fan shall be Broan Model QT140LE.

Fan shall have corrosion resistant galvanized steel housing with four-point mounting capability. It shall be ducted to a roof or wall cap using 6" round or 4" round ductwork.

Blower assembly shall be removable, have a centrifugal-type blower wheel, and a permanently lubricated motor designed for continuous operation.

6" round damper/duct connector and 6" round to 4" round duct reducer shall be included.

Bulbs shall be (2) 18W (max.) high efficiency, type GU24 based fluorescents, and separate 4W (max.) type C7 night light bulb.

Air delivery shall be no less than 140 CFM and sound level no greater than 1.5 Sones when using 6" duct connector (130 CFM / 2.0 Sones when using 6" round to 4" round duct reducer). All air and sound ratings shall be certified by HVI.

Fan shall be ENERGY STAR® qualified and have an energy efficient permanent split capacitor motor.

Fan shall be U.L. Listed for use over bathtubs and showers when connected to a GFCI protected branch circuit (ceiling mount only).

Fan shall be U.L. Listed for use in insulated ceilings (Type I.C.).



Broan-NuTone LLC Hartford, Wisconsin www.broan.com 800-558-1711

REFERENCE	QTY.	REMARKS	Project
			Location
			Architect
			Engineer
			Contractor
			Submitted by Date

81D 99045454B



#2 Chootoo Road, South Aranguéz, San Juan, Trinidad





BROAN QT SERIES- BATHROOM EXHAUST FAN SPECIFICATION SHEET

PERFORMANCE RATINGS MODEL QT140LE FAN / LIGHT / NIGHT LIGHT

HVI PERFORMANCE

Model	Static Pressure (Ps)	CFM	Sones	Fan Watts	Duct
QT140LE	0.10	140	1.5	40.0	with 6" round duct connector
	0.25	108			
	0.10	130	2.0	37.1	with 4" round duct reducer
	0.25	108			



HVI-2100 CERTIFIED RATINGS comply with new testing technologies and procedures prescribed by the Home Ventilating Institute, for off-the-shelf products, as they are available to consumers. Product performance is rated at 0.1 in. static pressure, based on tests conducted in a state-of-the-art test laboratory. Sones are a measure of humanly-perceived loudness, based on laboratory measurements.

AMPS

Model	Amps*
QT140LE	1.4

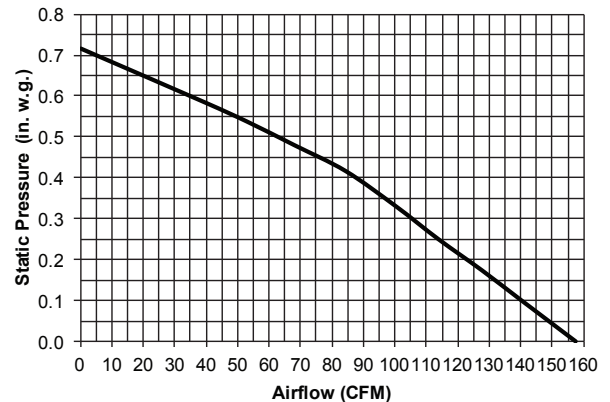
* Total connected load

WEIGHT

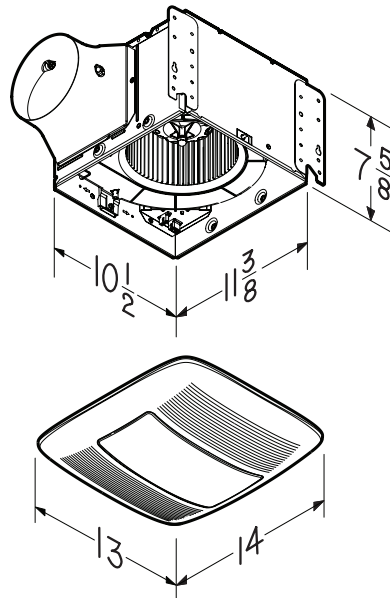
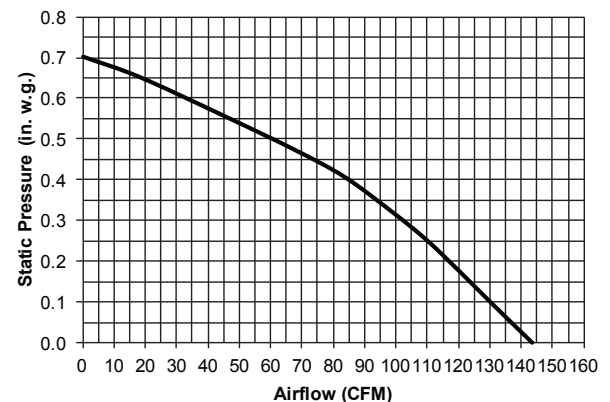
Model	Shipping Weight
QT140LE	14.2 lbs.

AIR FLOW PERFORMANCE

MODEL QT140LE - 6" DUCT



MODEL QT140LE - 4" DUCT



BROAN®

Broan-NuTone LLC Hartford, Wisconsin www.broan.com 800-558-1711



#2 Chootoo Road, South Aranguez, San Juan, Trinidad

