




VENTS-US - MA SERIES - AXIAL FAN SPECIFICATION SHEET

		<h2 style="margin: 0;">MA</h2> <h3 style="margin: 0;">AXIAL FAN</h3>
<p>PRODUCT SPECIFICATIONS</p>	<p>TECHNICAL DATA</p>	



DESCRIPTION
 Axial extract MA fans with automatic shutters. Designed for through the wall or wall mount application. Air performance tested as per HVI standards. Certified by ETL and conforms to UL & ULC electrical safety standards. Five year warranty.

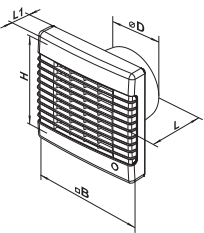
CASING
 Durable plastic housing constructed of ETL recognized, UV protected thermoplastic resin (flame rating - 5VA).

MOTOR
 Sleeve bearing motor ensures quiet operation and designed for operation up to 20,000 hours. Suitable for air stream temperature from 34 °F to 113 °F.

SUITABLE FOR:
 Bathroom / Living Area

DIMENSIONS





Model	Measurements [ins]				
	B	H	L	D	L1
100	6 1/2"	5 7/8"	3 5/8"	3 7/8"	1 1/4"
125	7 1/2"	6 13/16"	3 7/8"	4 15/16"	1 5/16"
150	8 3/8"	7 11/16"	4 1/2"	5 7/8"	1 5/16"



* The parameters RPM, Watts, Amps are indicated at 0.03 in.WG static pressure.

Tel: 888-640-0925
 513-348-3853
 Fax: 513-268-4597

Sales@ventsus.com
 VentsUS.com
 11013 Kenwood Road,
 Cincinnati, Ohio 45242

2013-03



VENTS-US - MA SERIES - AXIAL FAN SPECIFICATION SHEET

		MA AXIAL FAN								
PRODUCT SPECIFICATIONS	TECHNICAL DATA									
PERFORMANCE										
AMCA International Licensed Products										
Model	RPM*	Sones	Duct Dia	Watts*	Amps*	CFM vs. Static Pressure (Ps) in WG		Max.Ps	Volts	
						0"	0.03"			
100 MA	2756	1.82	4"	17	0.18	44	37	0.17	120 / 60 Hz	
AMCA International Non-Licensed Products										
Model	RPM*	Sones	Duct Dia	Watts*	Amps*	CFM vs. Static Pressure (Ps) in. WG		Max.Ps	Volts	
						0"	0.03"			
125 MA	2150	2.6	5"	19.2	0.21	102	90	0.18	120 / 60 Hz	
150 MA	2130	2.7	6"	35.2	0.4	176	158	0.196	120 / 60 Hz	
MODEL	QUANTITY	COMMENTS				PROJECT				
						location:				
						architect:				
						engineer:				
						contractor:				
						submitted by:				
Tel: 888-640-0925 513-348-3853 Fax: 513-268-4597		Sales@ventsus.com VentsUS.com 11013 Kenwood Road, Cincinnati, Ohio 45242								2013-03

