

# VENTS-US - TT SILENT SERIES- INLINE FAN SPECIFICATION SHEET



## TT SILENT

### PRODUCT SPECIFICATIONS

### TECHNICAL DATA

### INLINE MIXED FLOW FANS



### DESCRIPTION

Turbo Tube Silent fans provide ultra quiet operation & excellent airflow even in high pressure systems. The specifically designed and optimized case and the new aerodynamic mixed flow impeller ensure the highest performance. The diffuser, impeller and guide vanes provide a smooth laminar air flow which in turn minimizes turbulence and noise, and generates an excellent air flow to pressure performance ratio. The hemispheric shaped impeller with specially profiled blades is designed to ensure super silent operation. The Removable Body, including motor, impeller and junction box, is the Ultimate Solution for Easy Installation & cleaning. The Removable Body with the junction box can be rotated 180°, to Facilitate Mounting and Wiring.

Turbo Tube Silent fans are compatible with 4", 5", 6" diameter ducts. Five year warranty.

### CASING

The fan's casing is made of high quality, UV resistant plastic (UL94 certified plastic). It is equipped with a mounting plate to attach the fan to the wall or ceiling.

### MOTOR

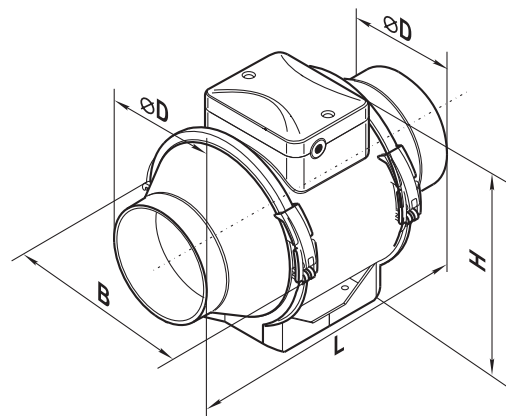
Motors are supplied with automatic reset thermal protection and are equipped with ball bearings for longer service life (40,000 hrs). Suitable for air stream temperature up to 140 °F.

### SUITABLE FOR:

Bathroom / kitchen / apartments / cottages / small offices / libraries / education facilities.

### DIMENSIONS

Model	Measurements [in.]				lbs
	ØD	B	H	L	
TT Silent 100	3 13/16"	7 11/16"	8 15/16"	11 15/16"	3.39
TT Silent 125	4 13/16"	7 11/16"	8 15/16"	10 3/16"	3.33
TT Silent 150	5 13/16"	8 11/16"	9 3/4"	11 3/8"	4.58



Tel: 888-640-0925      Sales@ventsus.com  
513-348-3853      VentsUS.com  
Fax: 513-268-4597      11013 Kenwood Road,  
Cincinnati, Ohio 45242



2017/06

# VENTS-US - TT SILENT SERIES- INLINE FAN SPECIFICATION SHEET



## TT SILENT

### PRODUCT SPECIFICATIONS

### TECHNICAL DATA

### INLINE MIXED FLOW FANS



### DESCRIPTION

Turbo Tube Silent fans provide ultra quiet operation & excellent airflow even in high pressure systems. The specifically designed and optimized case and the new aerodynamic mixed flow impeller ensure the highest performance. The diffuser, impeller and guide vanes provide a smooth laminar air flow which in turn minimizes turbulence and noise, and generates an excellent air flow to pressure performance ratio. The hemispheric shaped impeller with specially profiled blades is designed to ensure super silent operation. The Removable Body, including motor, impeller and junction box, is the Ultimate Solution for Easy Installation & cleaning. The Removable Body with the junction box can be rotated 180°, to Facilitate Mounting and Wiring.

Turbo Tube Silent fans are compatible with 4", 5", 6" diameter ducts.  
Five year warranty.

### CASING

The fan's casing is made of high quality, UV resistant plastic (UL94 certified plastic). It is equipped with a mounting plate to attach the fan to the wall or ceiling.

### MOTOR

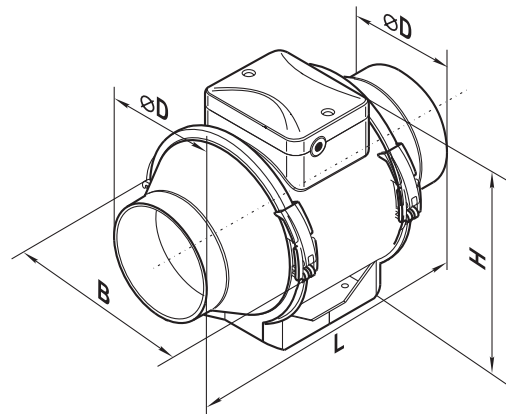
Motors are supplied with automatic reset thermal protection and are equipped with ball bearings for longer service life (40,000 hrs).  
Suitable for air stream temperature up to 140 °F.

### SUITABLE FOR:

Bathroom / kitchen / apartments / cottages / small offices / libraries / education facilities.

### DIMENSIONS

Model	Measurements [in.]				lbs
	ØD	B	H	L	
TT Silent 100	3 13/16"	7 11/16"	8 15/16"	11 15/16"	3.39
TT Silent 125	4 13/16"	7 11/16"	8 15/16"	10 3/16"	3.33
TT Silent 150	5 13/16"	8 11/16"	9 3/4"	11 3/8"	4.58



Tel: 888-640-0925      Sales@ventsus.com  
513-348-3853      VentsUS.com  
Fax: 513-268-4597      11013 Kenwood Road,  
Cincinnati, Ohio 45242



2017/06



# VENTS-US - TT SILENT SERIES- INLINE FAN SPECIFICATION SHEET

<b>VENTS-US</b>		<b>TT SILENT</b>																					
<b>PRODUCT SPECIFICATIONS</b>				<b>TECHNICAL DATA</b>				<b>INLINE MIXED FLOW FANS</b>															
<b>PERFORMANCE</b>																							
CFM vs. Static Pressure (Ps) in WG																							
Model	Speed	RPM*	Sones	Duct Dia	Watts*	Amps*	CFM vs. Static Pressure (Ps) in WG										Max Ps	Volts/Hz					
							0"	0.1"	0.2"	0.3"	0.4"	0.5"	0.6"	0.7"	0.8"	0.9"			1.0"				
TT Silent 100	high	1994	1.5	4"	30	0.25	146	128	110	88	64	44	21	9	-	-	-	0.78	120/60				
	low	1500	0.9		24	0.21	109	88	68	47	22	10	-	-	-	-	-	-	0.61	120/60			
TT Silent 125	high	2059	1.3	5"	37	0.31	200	183	161	137	93	62	32	0	-	-	-	0.70	120/60				
	low	1360	0.6		25	0.22	132	106	80	51	13	-	-	-	-	-	-	-	0.48	120/60			
TT Silent 150	high	2617	2.5	6"	66	0.55	327	316	299	283	268	247	225	194	138	83	50	1.22	120/60				
	low	1933	1.1		52	0.45	240	219	194	171	134	111	86	57	27	7	-	-	0.93	120/60			
* The parameters RPM, Watts are indicated at 0.2 in. WG static pressure.																							
MODEL				QUANTITY				COMMENTS				PROJECT											
												location:											
												architect:											
												engineer:											
												contractor:											
												submitted by:											
Tel: 888-640-0925				Sales@ventsus.com																			
513-348-3853				VentsUS.com																			
Fax: 513-268-4597				11013 Kenwood Road,																			
				Cincinnati, Ohio 45242																			

2017/06



# VENTS-US - TT SILENT SERIES- INLINE FAN SPECIFICATION SHEET

<b>VENTS-US</b>		<b>TT SILENT</b>																					
<b>PRODUCT SPECIFICATIONS</b>				<b>TECHNICAL DATA</b>				<b>INLINE MIXED FLOW FANS</b>															
<b>PERFORMANCE</b>																							
Model	Speed	RPM*	Sones	Duct Dia	Watts*	Amps*	CFM vs. Static Pressure (Ps) in WG										Max Ps	Volts/Hz					
							0"	0.1"	0.2"	0.3"	0.4"	0.5"	0.6"	0.7"	0.8"	0.9"			1.0"				
TT Silent 100	high	1994	1.5	4"	30	0.25	146	128	110	88	64	44	21	9	-	-	-	0.78	120/60				
	low	1500	0.9		24	0.21	109	88	68	47	22	10	-	-	-	-	-	-	0.61	120/60			
TT Silent 125	high	2059	1.3	5"	37	0.31	200	183	161	137	93	62	32	0	-	-	-	0.70	120/60				
	low	1360	0.6		25	0.22	132	106	80	51	13	-	-	-	-	-	-	-	0.48	120/60			
TT Silent 150	high	2617	2.5	6"	66	0.55	327	316	299	283	268	247	225	194	138	83	50	1.22	120/60				
	low	1933	1.1		52	0.45	240	219	194	171	134	111	86	57	27	7	-	-	0.93	120/60			
* The parameters RPM, Watts are indicated at 0.2 in. WG static pressure.																							
MODEL				QUANTITY				COMMENTS				PROJECT											
												location:											
												architect:											
												engineer:											
												contractor:											
												submitted by:											
Tel: 888-640-0925				Sales@ventsus.com																			
513-348-3853				VentsUS.com																			
Fax: 513-268-4597				11013 Kenwood Road,																			
				Cincinnati, Ohio 45242																			

2017/06



#2 Chootoo Road, South Aranguéz, San Juan, Trinidad

