

VENTS-US - VK PS SERIES- INLINE FAN SPECIFICATION SHEET



VK PS

PRODUCT SPECIFICATIONS

TECHNICAL DATA

INLINE CENTRIFUGAL FAN



DESCRIPTION

The VENTS VK PS Series dryer booster fan has been specially designed to solve dryer vent problems where more airflow is needed.

The VENTS VK PS dryer booster fans assure efficient and reliable operation. The pre-installed pressure switch allows the VK PS fan to run only when it senses that the dryer is on. The controller cycles the fan until the dryer has stopped. The fans are fitted with backward curved centrifugal impeller, which allows lint not to get stuck in the fan. The VENTS VK PS fans are driven by powerful sealed external rotor motor with lifelong bearings and thermal protection. Five year warranty.

CASING

The fans' casing is made of high quality, UV-resistant plastic (UL94 certified plastic).

MOTOR

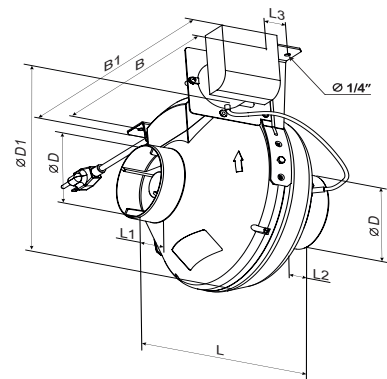
The VENTS VK PS fans are driven by powerful sealed external rotor motor with lifelong bearings and thermal protection. This powerful combination enables the VENTS VK PS fans to deliver exceptional airflow performances even in long duct runs.

SUITABLE FOR:

VK PS Series fans are designed to solve dryer vent problems where more airflow is needed.

DIMENSIONS

Model	Measurements [in.]								lbs
	ØD	ØD1	B	B1	L	L1	L2	L3	
VK PS 100	3 15/16"	9 13/16"	10 5/8"	13 3/8"	9 1/16"	1 3/16"	1 1/16"	1 3/16"	4.7
VK PS 125	4 15/16"	9 13/16"	10 5/8"	13 3/8"	8 11/16"	1 3/16"	1 1/16"	1 3/16"	4.9
VK PS 150	5 7/8"	11 13/16"	12 3/16"	13 3/8"	11 1/4"	1 3/16"	1 3/16"	1 3/16"	5.7
VK PS 200	7 7/8"	13 3/8"	13 3/4"	16 3/4"	10 7/8"	1 3/16"	1 3/16"	1 9/16"	9.5
VK PS 250	9 13/16"	13 3/8"	13 3/4"	16 3/4"	10 3/8"	1 3/16"	1 3/16"	1 9/16"	9.5
VK PS 315	12 3/8"	15 3/4"	16 5/16"	19 5/16"	10 15/16"	1 1/2"	2 3/16"	1 9/16"	10.8



Tel: 888-640-0925 Sales@ventsus.com
 513-348-3853 VentsUS.com
 Fax: 513-268-4597 11013 Kenwood Road,
 Cincinnati, Ohio 45242



2017/11



VENTS-US - VK PS SERIES- INLINE FAN SPECIFICATION SHEET



VK PS

PRODUCT SPECIFICATIONS

TECHNICAL DATA

INLINE CENTRIFUGAL FAN

PERFORMANCE

Model	Duct dia	Sones	RPM*	Watts*	CFM vs. Static Pressure (Ps) in WG										Volt / Hz
					0"	0.125"	0.2"	0.25"	0.375"	0.5"	0.75"	1.0"	1.25"	1.5"	
VK PS 100	4"	8.5	3088	106	162	155	150	147	141	134	120	104	87	67	120 / 60
VK PS 125	5"	7.1	2960	114	235	222	214	207	193	178	151	123	99	72	120 / 60
VK PS 150	6"	7.2	2907	113	317	300	289	282	265	247	212	178	132	68	120 / 60
VK PS 200	7 7/8"	8.1	3016	140	507	481	465	455	423	395	343	287	238	189	120 / 60
VK PS 250	9 13/16"	10.2	2604	293	735	699	675	658	625	558	507	432	369	307	120 / 60
VK PS 315	12 3/8"	11.5	2641	269	871	817	779	758	703	635	501	393	324	266	120 / 60

MODEL	QUANTITY	COMMENTS	PROJECT
			location:
			architect:
			engineer:
			contractor:
			submitted by:

Tel: 888-640-0925 Sales@ventsus.com
 513-348-3853 VentsUS.com
 Fax: 513-268-4597 11013 Kenwood Road,
 Cincinnati, Ohio 45242



2017/11



#2 Chootoo Road, South Aranguéz, San Juan, Trinidad

