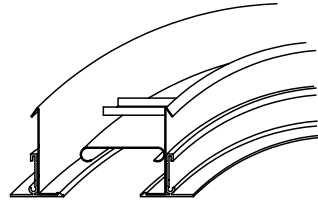




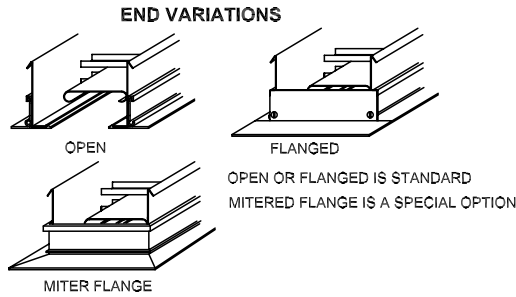
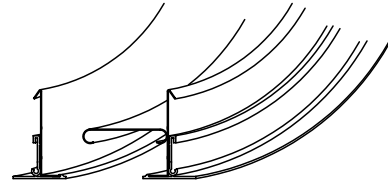
# LINEAR ACCESSORIES SUBMITTAL

## AIR DISTRIBUTION SUBMITTAL

WF2000 SERIES ACCESSORIES



**CURVED SECTIONS AVAILABLE**  
CONTACT FACTORY



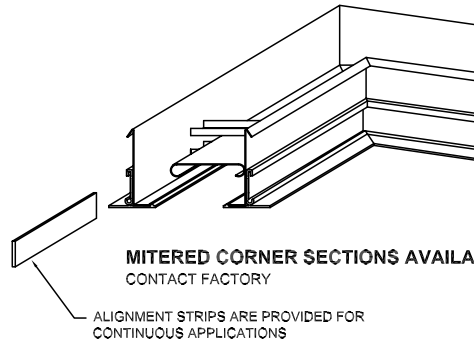
**END VARIATIONS**

OPEN

FLANGED

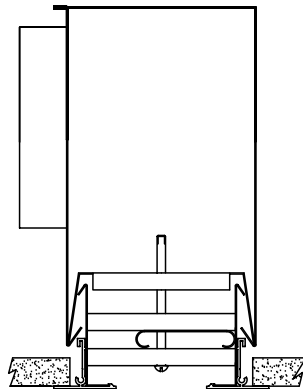
MITER FLANGE

OPEN OR FLANGED IS STANDARD  
MITERED FLANGE IS A SPECIAL OPTION

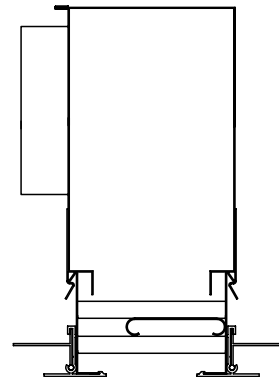


**MITERED CORNER SECTIONS AVAILABLE**  
CONTACT FACTORY

ALIGNMENT STRIPS ARE PROVIDED FOR  
CONTINUOUS APPLICATIONS



**DISTRIBUTION PLENUMS**  
AVAILABLE FOR BOTH SURFACE MOUNT  
AND FRAME-IN APPLICATIONS.



STANDARD INDUSTRY TOLERANCES APPLY. SPECIFICATIONS  
ARE SUBJECT TO CHANGE WITHOUT NOTICE.

JOB NAME: \_\_\_\_\_  
LOCATION: \_\_\_\_\_  
ARCHITECT: \_\_\_\_\_  
ENGINEER: \_\_\_\_\_  
CONTRACTOR: \_\_\_\_\_

### WF2000 SERIES WIDE FLOW LINEAR ACCESSORIES

DRAWN BY  
JLH

DATE  
10-2-00

DWG. NO.  
WF2000-ACC

P.O. BOX 250  
ALBION, IOWA 50005  
PH. (641) 488-2211 FAX (641) 488-2796  
www.raymon-hvac.com



**RAYMON**  
DONCO AIR DISTRIBUTION EQUIPMENT



#2 Chootoo Road, South Aranguéz, San Juan, Trinidad

