



# SEIHO - PKP - ALUMINUM SPOT DIFFUSER SUBMITTAL SHEET



Seiho International Inc.

## SUBMITTAL SHEET

www.seiho.com

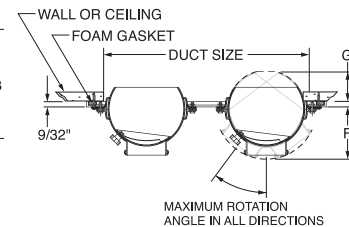
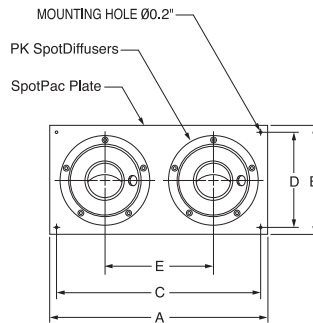
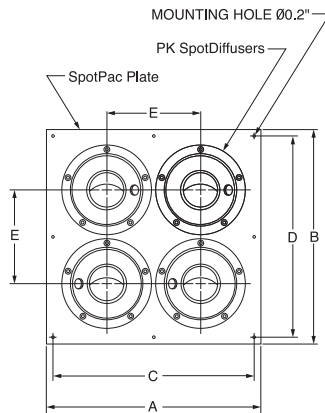
### Model: PKP

SpotPac

- Spot Cooling/Heating Application
- Available up to 4 PKs per Panel
- Individually Adjustable SpotDiffusers

● **Material:**  
SpotDiffuser-Aluminum  
SpotPac Plate-Stainless Steel (304)

● **Standard Finish:**  
SpotDiffuser-Clear Anodized  
SpotPac Plate-Brushed  
Custom Colors Available



MODEL	DUCT SIZE	PK SIZE X QTY.	A	B	C	D	E	F	G	MAX. ROTATION ANGLE
PKP 32-104	10 X 4	PK 3 X 2	12	6	11	5	6	2 1/4	1 7/8	33°
PKP 42-126	12 X 6	PK 4 X 2	14	8	13	7	7	2 29/32	1 7/16	41°
PKP 52-146	14 X 6	PK 5 X 2	16	8	15	7	8	3 17/32	2 1/32	44°
PKP 62-168	16 X 8	PK 6 X 2	18	10	17	9	9	4 1/32	2 7/16	43°
PKP 72-189	18 X 9	PK 7 X 2	20	11	19	10	9 11/32	3 19/32	2 1/16	43°
PKP 82-2010	20 X 10	PK 8 X 2	22	12	21	11	10	3 19/32	2 1/16	33°
PKP 34-1010	10 X 10	PK 3 X 4	12	12	11	11	5	2 1/4	1 7/8	33°
PKP 44-1212	12 X 12	PK 4 X 4	14	14	13	13	6	2 29/32	1 7/16	41°
PKP 54-1414	14 X 14	PK 5 X 4	16	16	15	15	7	3 17/32	2 1/32	44°
PKP 64-1616	16 X 16	PK 6 X 4	18	18	17	17	8	4 1/32	2 7/16	43°
PKP 74-1818	18 X 18	PK 7 X 4	20	20	19	19	9 11/32	3 19/32	2 1/16	43°
PKP 84-2020	20 X 20	PK 8 X 4	22	22	21	21	10	3 19/32	2 1/16	33°

Product information is subject to change without notice. All dimensions in inches.

JOB NAME: _____	SUBMITTED BY: _____	DATE: _____	<b>Model PKP</b> SpotPac
LOCATION: _____			
ARCHITECT: _____			Form No.180-22
ENGINEER: _____			
CONTRACTOR: _____			

P.O.Box 91813 Pasadena, CA 91109 U.S.A. Tel: (800) 248-0030 (626) 395-7299 Fax: (626) 395-7290 http://www.seiho.com e-mail: info@seiho.com



#2 Chootoo Road, South Aranguéz, San Juan, Trinidad

