



SEIHO - SXL - ALUMINUM VENT CAP SUBMITTAL SHEET



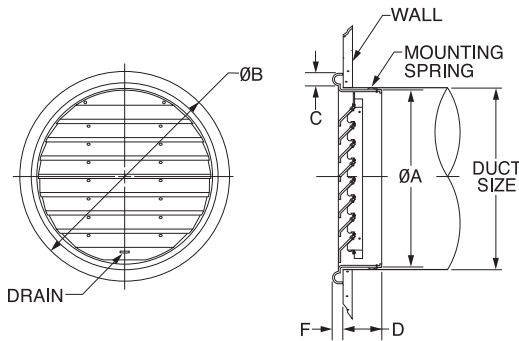
SUBMITTAL SHEET
www.seiho.com

Model: **SXL**

Aluminum Vent Cap

- Fresh Air Intake/Exhaust Outlet
- High Capacity
- Optional Insect Screen (SXL-N)

- Material: Aluminum
- Standard Finish: Clear Anodized



MODEL	DUCT SIZE	A	B	C	D	F	FREE AREA
SXL 10	10	9 2 ¹ / ₃₂	12 1 ¹ / ₁₆	1	2 3 ¹ / ₃₂	1 ³ / ₃₂	0.19 sq. ft.
SXL 12	12	11 1 ⁹ / ₃₂	14 2 ¹ / ₃₂	1	2 3 ¹ / ₃₂	1 ³ / ₃₂	0.27 sq. ft.
SXL 14	14	13 1 ⁹ / ₃₂	16 5 ¹ / ₈	1	3 1 ¹ / ₃₂	1 ⁹ / ₃₂	0.37 sq. ft.
SXL 16	16	15 9 ¹ / ₁₆	18 1 ⁹ / ₃₂	1	3 1 ¹ / ₃₂	1 ⁹ / ₃₂	0.49 sq. ft.

Product information is subject to change without notice. All dimensions in inches.

JOB NAME: _____
 LOCATION: _____
 ARCHITECT: _____
 ENGINEER: _____
 CONTRACTOR: _____

SUBMITTED BY: _____

DATE: _____

Model SXL
Aluminum Vent Cap

Form No.403-22

P.O.Box 91813 Pasadena, CA 91109 U.S.A. Tel: (800) 248-0030 (626) 395-7299 Fax: (626) 395-7290 http://www.seiho.com e-mail: info@seiho.com



#2 Chootoo Road, South Aranguez, San Juan, Trinidad

