



SEIHO - TX - MINI DIFFUSER SUBMITTAL SHEET



SUBMITTAL SHEET (Metric)

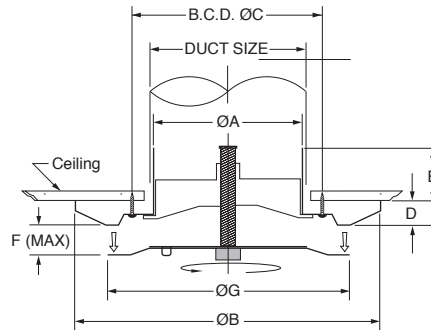
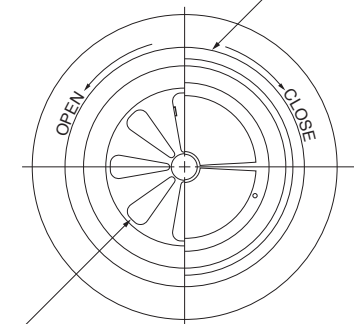
Model: TX

Residential MINI Diffuser for Horizontal and Vertical Airflow

- Variable Air Flow Control (Horizontal and Vertical)
- Omnidirectional, Low Diffusion Air Patterns
- Low Silhouette, Unobtrusive Profile
- Hidden Mounting Mechanism
- Easy Operation

- Material: Aluminum
- Standard Finish: White or Anodized

HORIZONTAL AIR FLOW CONTROL PLATE



MODEL	DUCT SIZE	A	B	C	D	E	F	G
TX 4	100	96	197	123	17	39	41	157
TX 6	150	146	294	178	22	48	41	229
TX 8	200	196	336	233	22	39	48	286

Dimensions are in millimeters. Product Information is Subject to Change Without Notice

JOB NAME: _____	SUBMITTED BY: _____	DATE: _____	Model TX Residential MINI Diffuser for Horizontal and Vertical Airflow
LOCATION: _____			
ARCHITECT: _____			
ENGINEER: _____			
CONTRACTOR: _____			

P.O.Box 91813 Pasadena, CA 91109 U.S.A. Tel: (800) 248-0030 (626) 395-7299 Fax: (626) 395-7290 <http://www.seiho.com> e-mail: info@seiho.com



#2 Chootoo Road, South Aranguez, San Juan, Trinidad

