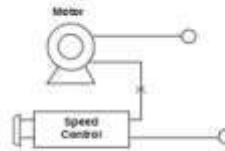


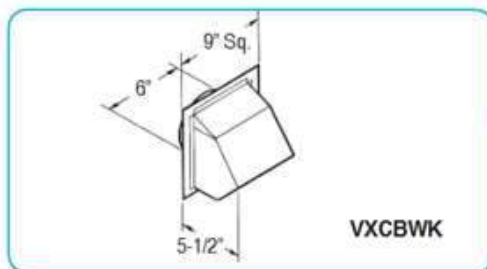


Carnes VCDD-I Ceiling Inline Fans Accessories

Solid State Variable Speed Switch

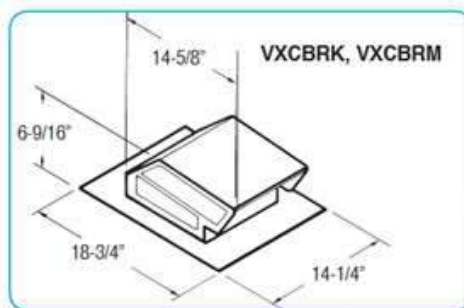


- Model JXUA — 3 amp
- Model JXVA — 6 amp
- Model JXEA — 8 amp
- Model VXCBS — 6 amp, 240 volt
- Model VXCBM — 6 amp, 277 volt
- Model JTSA — for use on VCDD010-090 (ceiling and in-line)



VXCWBK

- Aluminum - natural finish.
- Built-in backdraft damper and birdscreen.
- For 6" round duct.
- For use with VCDD and VCDK 010-015.



VXCBRM

- Steel black electrically bonded epoxy finish.
- Built-in backdraft damper and birdscreen.
- For 3-1/4"x10" or up to 8" round duct.
- For use with VCDD 020-030.

Metal Grille Kit

- Aluminum, painted white.
- Mounting clips included.
- VXCBLH (9-11/16" Sq.) fits VCDK 005C.
- VXCBLK (11-7/16" Sq.) fits VCDK 008C-009C.
- VXCBSGS (10-1/4" Sq.) fits VCDD 005C-009C.
- VXCBSGF (14" Sq.) fits VCDD 010C-030C.
- VXCBSKQ (16-1/4" x 39-5/8") fits VCDD 210I.
- VXCBSKP (18-3/8" x 47-1/4") fits VCDD 330I.

