



Canarm BPT12_13H Operation Instruction and Parts Manual



GENERAL SAFETY

WARNING - TO REDUCE THE RISK OF FIRE, ELECTRIC SHOCK OR INJURY TO PERSONS, OBSERVE THE FOLLOWING:

1. This ventilation fan is approved for use over a bathtub or shower when installed in a GFCI protected circuit. Do not use unapproved fans over a bathtub or shower that does not include a GFCI protected circuit.
2. Installation work must be carried out by a qualified person(s) in accordance with all local and safety codes including the rules for fire-rated construction.
3. To reduce the risk of fire, always vent fans to the exterior and in compliance with local codes. Do not vent exhaust air into spaces within walls, ceilings, attics, crawl spaces, or garages.
4. Install ductwork in a straight line with minimal bends.
5. Use 120 V, 60 Hz for the electrical supply and properly ground the unit. Follow all local safety and electrical codes.
6. Do not use this fan with any solid state control device; such as a dimmer switch. Solid-state controls may cause harmonic distortion which can cause a motor humming noise.
7. Use this unit only in the manner intended by the manufacturer. If you have questions, contact the manufacturer.
8. Before servicing or cleaning unit, switch power off at service panel and lock the service disconnecting means to prevent power from being switched on accidentally. When the service disconnecting means cannot be locked, securely fasten a prominent warning device such as a tag, to the service panel.
9. Sufficient air is needed for proper combustion and exhausting of gases through the flue (chimney) of fuel burning equipment to prevent back drafting. Follow the heating equipment manufacturer's guideline and safety standards such as those published by the National Fire Protection Association (NFPA), and the American Society for Heating, Refrigeration and Air Conditioning Engineers (ASHRAE), and local code authorities.
10. Not to be installed in a ceiling thermally insulated to a value greater than R40.





Canarm BPT12_13H Operation Instruction and Parts Manual

PRE-INSTALLATION

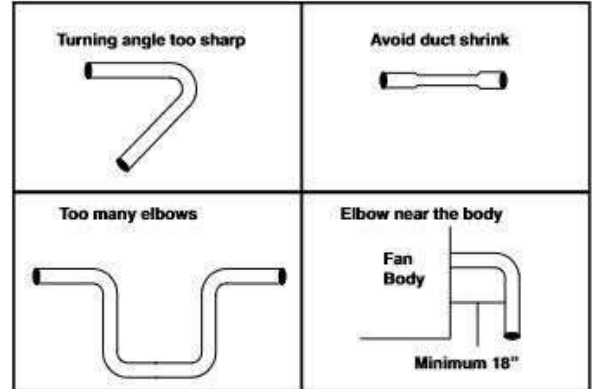
When installing the ventilation fan in a **new construction site**, install the main body of the fan and duct work during the rough-in construction of the building. The grill should be installed after the finished ceiling is in place.

When installing in **existing construction**, use the dimensions shown below to determine the required hole size for the ceiling. Grill edges should overlap finished ceiling.

NOTE: If installing in existing construction, you must have access to space above and below the installation location.

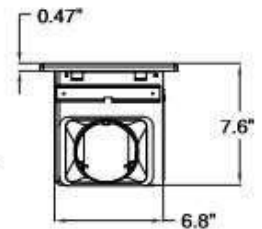
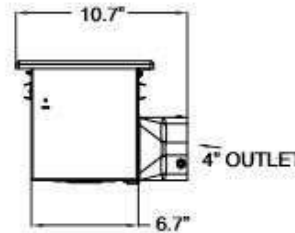
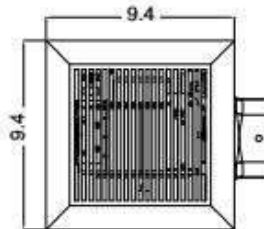
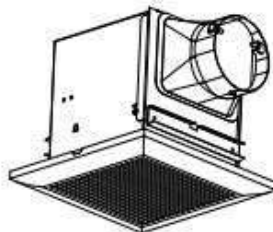
If you are **replacing an existing fan**, ensure that the new grill will adequately cover the existing opening.

Do not install ventilation fan in areas where the duct work will require configurations shown right.



DIMENSIONS

BPT12-13H
(For bathroom size up to 75 ft²)



PRODUCT SPECIFICATIONS

MODEL	DUCT DIAMETER	VOLTAGE	Hz	POWER CONSUMPTION	AIR DELIVERY @ 1" WG (CFM)	NOISE	WEIGHT
BPT12-13H	4"	120	60	17 WATTS	70	1 SONE	8.0 LBS

BEFORE YOU BEGIN

- Carefully unpack and remove the unit from the carton.
- Check to make sure you have all components listed in the tables shown right and below.
- If any components are missing, please contact the manufacturer.

ITEM	PICTURE	QUANTITY
Quick Connect		3
Long Wood Screw (4 x 30mm)		8
Screw (4 x 6mm)		4
Bracket		4

ITEM	PICTURE	QUANTITY
Fan Unit		1
Spring Clips		2
Grill		1





Canarm BPT12_13H Operation Instruction and Parts Manual

INSTALLATION INSTRUCTIONS

! WARNING: TURN OFF ELECTRICITY AT BREAKER BOX BEFORE BEGINNING INSTALLATION

1. PREPARATION FOR MOUNTING (FIGURE 1)

Determine thickness of finished ceiling board (* measurement shown in FIGURE 1). Place fan unit body against ceiling joist in desired location. Ensure bottom of main body hangs down below joist to account for finished ceiling board.

2. MOUNTING FAN BODY (FIGURE 2)

Use long wood screws to loosely attach both sides of main body to joist (right side shown). Ensure ventilation fan is level and that proper clearance is given for finished ceiling board. When main body is level and in the intended location, tighten screws on both right and left side of main body.

3. USING QUICK CONNECT (FIGURE 3)

WARNING: Wiring must comply with all applicable electrical codes. Turn power OFF before removing or installing connectors.

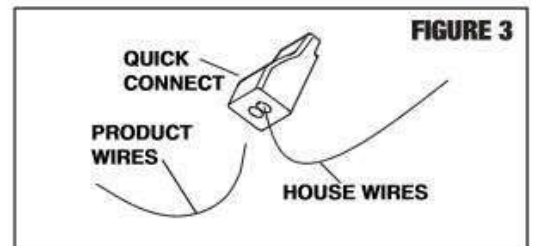
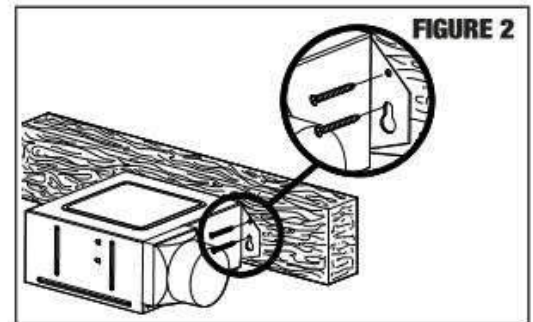
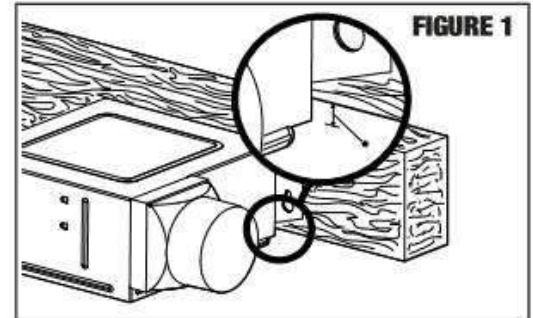
WARNING: COPPER to COPPER ONLY. Do not use on Aluminum wire.

CAUTION: The Quick Connect accessory part should be installed as per instructions below.

NOTE: Connector is reusable on solid wires of the same wire gage or smaller. Do not reuse connector on stranded wires.

- Strip the wires so half of the bare wire is showing.
- Grip the wire firmly and push the stripped end of the wire into the open port of connector. Use only one stripped end of the wire per port.
- Verify the stripped end of the wire is fully inserted to the back of the connector.

NOTE: Important wire information. Maximum temperature rating 105°C (221°F). 600 volts maximum for building wire and 1000 volts maximum in signs and lighting fixtures. Flammability rating of the wires must meet UL94-V2. The acceptable wire range includes: Solid: 12-20 AWG, Stranded: 12-16 AWG (≤19 STRAND); 18AWG (7 STRAND), Tin bonded: 14-18 AWG (≤19 STRAND).





Canarm BPT12_13H Operation Instruction and Parts Manual

INSTALLATION INSTRUCTIONS CONTINUED...

4. CONNECTING WIRING FROM UNIT TO HOUSE (FIGURE 4)

WARNING: Make sure that the main power is off.

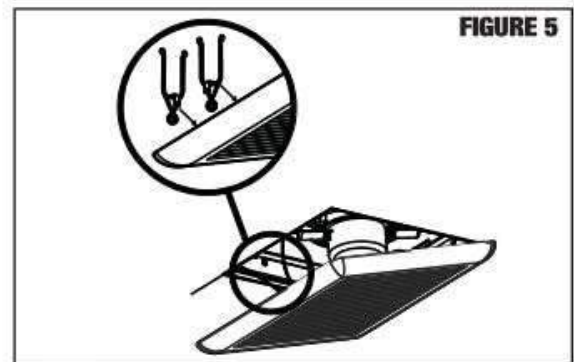
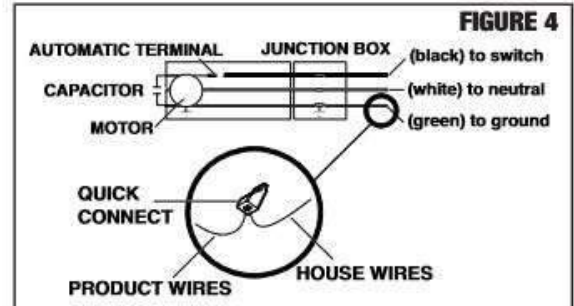
WARNING: Failure to wire product correctly could result in electrical shock, fire hazards, or damage to the product. Consult a licensed electrician if you are unsure of your ability to correctly install wiring.

CAUTION: If your house wires do not match these colors, determine what each house wire represents before connecting. You may need to consult a licensed electrician to determine this safely.

- Connect house wires to ventilation fan wires.
- Match colors as shown (black to black, white to white, and green to green) using quick connects or wire nuts (not provided).
- Replace the junction box cover. Do not pinch the lead wires.

5. INSTALLING FAN GRILL (FIGURE 5)

- Insert the mounting springs into the grill.
- Squeeze mounting springs together, and insert into main body.



CLEANING

CAUTION: Do not use solvents, thinner or harsh chemicals for cleaning the fan.

CAUTION: Do not allow water to enter the motor.

CAUTION: Do not immerse resin parts in water over 140° F (60° C).

- Before servicing or cleaning the unit, disconnect the power supply at the panel and lock to prevent the power from being turned on. If the panel cannot be locked, clearly mark the panel with a warning tag to prevent the power from being turned on.
- Remove the grill by squeezing the springs and pulling the grill down.
- Wash and clean the grill in a sink and dry with a cloth.
- Remove dust and dirt from the fan housing with a vacuum cleaner.
- Dampen a cloth with dish detergent, wipe the fan housing and dry with a cloth.
- Replace the grill.
- To reduce the risk of fire, always vent fans to the exterior and in compliance with local codes. Do not vent exhaust air into spaces within walls, ceilings, attics, crawl spaces, or garages.
- Unplug or disconnect the appliance from the power supply before servicing.

