



# Canarm BPT18\_34A BPT18\_54A Operation Instruction and Parts Manual



## GENERAL SAFETY

**WARNING - TO REDUCE THE RISK OF FIRE, ELECTRIC SHOCK OR INJURY TO PERSONS, OBSERVE THE FOLLOWING:**

1. This ventilation fan is approved for use over a bathtub or shower when installed in a GFCI protected circuit. Do not use unapproved fans over a bathtub or shower that does not include a GFCI protected circuit.
2. Installation work must be carried out by a qualified person(s) in accordance with all local and safety codes including the rules for fire-rated construction.
3. To reduce the risk of fire, always vent fans to the exterior and in compliance with local codes. Do not vent exhaust air into spaces within walls, ceilings, attics, crawl spaces, or garages.
4. Install ductwork in a straight line with minimal bends.
5. Use 120 V, 60 Hz for the electrical supply and properly ground the unit. Follow all local safety and electrical codes.
6. Use this unit only in the manner intended by the manufacturer. If you have questions, contact the manufacturer.
7. Before servicing or cleaning unit, switch power off at service panel and lock the service disconnecting means to prevent power from being switched on accidentally. When the service disconnecting means cannot be locked, securely fasten a prominent warning device, such as a tag, to the service panel.
8. When cutting or drilling into wall or ceiling, do not damage electrical wiring and other hidden utilities.
9. **CAUTION-For general ventilating use only. Do not use to exhaust hazardous or explosive materials and vapors.**
10. Not to be installed in a ceiling thermally insulated to a value greater than R40.





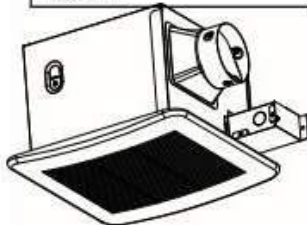
# Canarm BPT18\_34A BPT18\_54A Operation Instruction and Parts Manual

## BEFORE YOU BEGIN

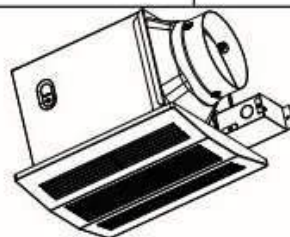
1. Carefully unpack and remove the unit from the carton.
2. Check to make sure you have all components listed in the tables shown below.
3. If any components are missing, please contact the manufacturer.

ITEM	PICTURE	QUANTITY
Quick Connect		3
Long Wood Screw (4 x 30mm)		8
Screw #1 (4 x 12mm) (For use with Suspension Brackets 2 & 3)		2
Screw #2 (4 x 8mm) (For use with Suspension Bracket 1)		1

ITEM	PICTURE	QUANTITY
Fan Unit		1
Grill		1
Suspension Bracket 1		1
Suspension Bracket 2		1
Suspension Bracket 3		1



**BPT18-34A-1**  
(For bathroom size up to 105 ft<sup>2</sup>)



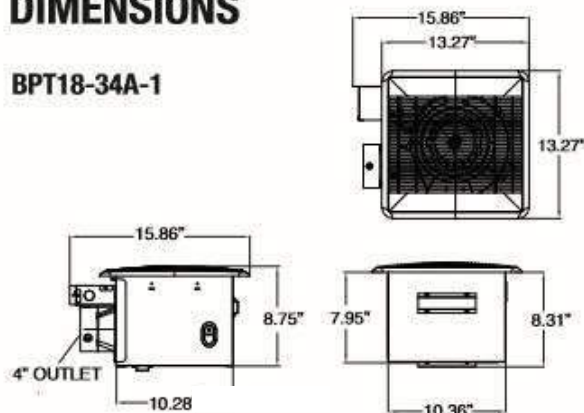
**BPT18-54A-1**  
(For bathroom size up to 200 ft<sup>2</sup>)

## PRODUCT SPECIFICATIONS

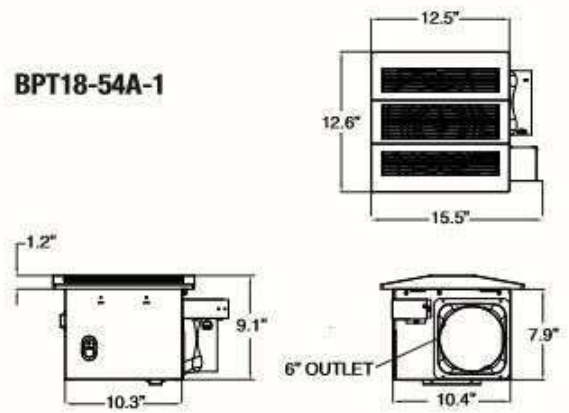
MODEL	DUCT DIAMETER	VOLTAGE	Hz	POWER CONSUMPTION	AIR DELIVERY @ 1" WG (CFM)	NOISE	WEIGHT
BPT18-34A-1	4"	120	60	31 WATTS	110	1 SONE	13.1 LBS
BPT18-54A-1	6"	120	60	42 WATTS	150	1.5 SONE	15.7 LBS

## DIMENSIONS

**BPT18-34A-1**



**BPT18-54A-1**





# Canarm BPT18\_34A BPT18\_54A Operation Instruction and Parts Manual

## INSTALLATION INSTRUCTIONS

**! WARNING: TURN OFF ELECTRICITY AT BREAKER BOX BEFORE BEGINNING INSTALLATION**

### 1. DETERMINING JOIST WIDTH

Measure the distance from the center of the two ceiling joists where you will be installing the ventilation fan (as shown in Figure 1).

### 2. SUSPENSION BRACKET INSTALLATION (FIGURE 2)

- For ceiling joist installations under 20", insert suspension bracket 1 into the fan body, as shown in Figure 2. Proceed to step 3.
- For ceiling joist installations between 20" and 24", insert suspension brackets 1, 2, and 3. Proceed to step 4.

**NOTE:** Sliding hanger are provided to allow for accurate positioning of the main body between joists.

### 3. JOINT INSTALLATION UNDER 20" (FIGURE 3)

- Use four long wood screws to attach the main body of the fan to the ceiling joists.
- Ensure the main body is level and square to the joists.
- Tighten all screws.

**CAUTION:** Do not mount the fan flush against the joist. The flange should be flush with the ceiling board.

### 4. 20" - 24" JOINT INSTALLATION (FIGURE 4)

- Use long wood screws to loosely attach the main body of the fan to one ceiling joist.
- Extend the hanger bars to the opposite ceiling joist.
- Secure the suspension brackets to the joist using long wood screws.
- Ensure the main body is level and square to the joists.
- Tighten all screws.

**CAUTION:** Do not mount the fan flush against the joist. The flange should be flush with the ceiling board.

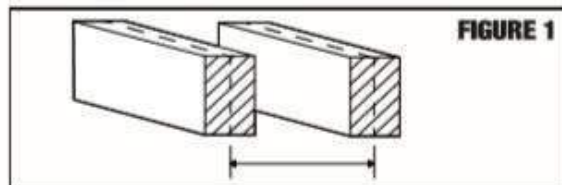


FIGURE 1

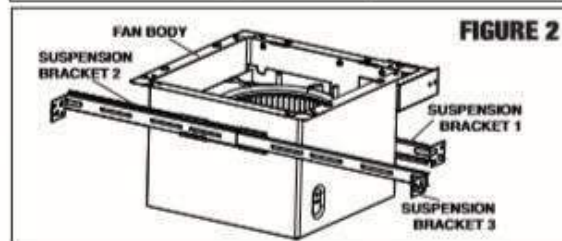


FIGURE 2

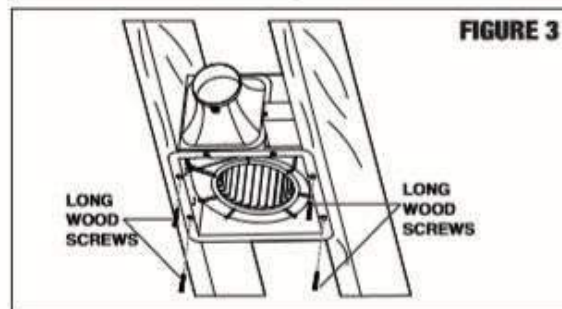


FIGURE 3

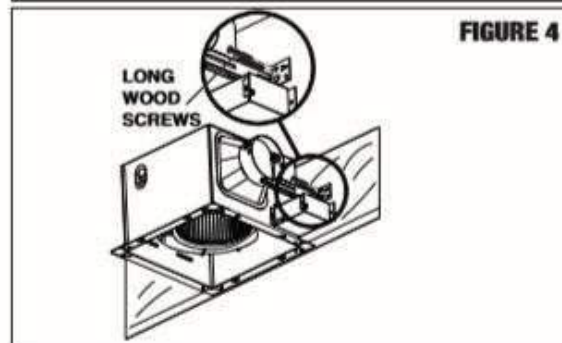


FIGURE 4

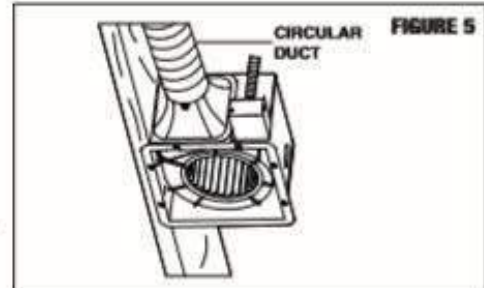


# Canarm BPT18\_34A BPT18\_54A Operation Instruction and Parts Manual

## INSTALLATION INSTRUCTIONS CONTINUED...

### 5. DUCT CONNECTION (FIGURE 5)

- Install a circular duct to the outlet and secure it with duct tape or clamps to the outlet.
- Install the duct with a gradient of 1" - 2" to the outside.



### 6. USING QUICK CONNECT (FIGURE 6)

**WARNING:** Wiring must comply with all applicable electrical codes. Turn power OFF before removing or installing connectors.

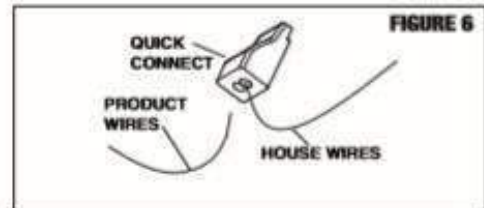
**WARNING:** COPPER to COPPER ONLY. Do not use on Aluminum wire.

**CAUTION:** The Quick Connect accessory part should be installed as per instructions below.

**NOTE:** Connector is reusable on solid wires of the same wire gage or smaller. Do not reuse connector on stranded wires.

- Strip the wires so half of the bare wire is showing.
- Grip the wire firmly and push the stripped end of the wire into the open port of connector. Use only one stripped end of the wire per port.
- Verify the stripped end of the wire is fully inserted to the back of the connector.

**NOTE:** Important wire information. Maximum temperature rating 105°C (221°F). 600 volts maximum for building wire and 1000 volts maximum in signs and lighting fixtures. Flammability rating of the wires must meet UL84-V2. The acceptable wire range includes: Solid: 12-20 AWG, Stranded: 12-16 AWG (≤19 STRAND), 18AWG (7 STRAND), Tin bonded: 14-18 AWG (≤19 STRAND).



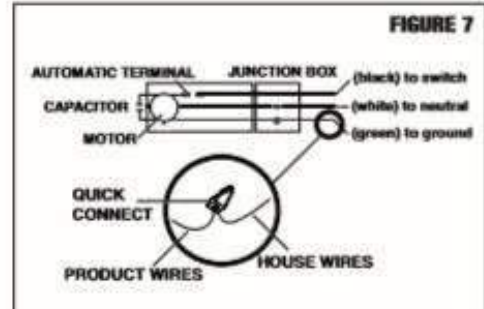
### 7. CONNECTING WIRING FROM UNIT TO HOUSE (FIGURE 7)

**WARNING:** Make sure that the main power is off.

**WARNING:** COPPER to COPPER ONLY. Do not use on Aluminum wire.

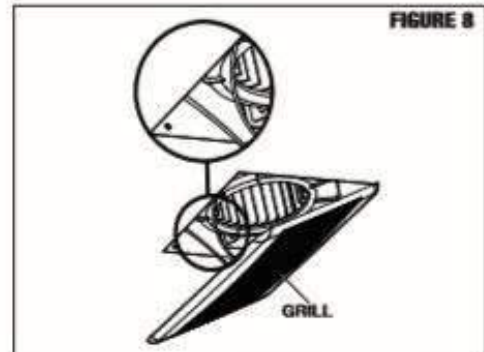
**CAUTION:** The Quick Connect accessory part should be installed as per instructions below.

- Connect house wires to ventilation fan wires.
- Match colors as shown (black to black, white to white, and green to green) using quick connects or wire nuts (not provided).
- Replace the junction box cover. Do not pinch the lead wires.



### 8. MOUNTING THE GRILL (FIGURE 8)

- Use the spring clips to pinch mount and insert the grill into the narrow rectangular slots inside of the fan housing next to the fan motor.





# Canarm BPT18\_34A BPT18\_54A Operation Instruction and Parts Manual

## CLEANING

**CAUTION: Do not use solvents, thinner or harsh chemicals for cleaning the fan.**

**CAUTION: Do not allow water to enter the motor.**

**CAUTION: Do not immerse resin parts in water over 140° F (60° C).**

- a) Before servicing or cleaning the unit, disconnect the power supply at the panel and lock to prevent the power from being turned on. If the panel cannot be locked, clearly mark the panel with a warning tag to prevent the power from being turned on.
- b) Remove the grill by squeezing the springs and pulling the grill down.
- c) Wash and clean the grill in a sink and dry with a cloth.
- d) Remove dust and dirt from the fan housing with a vacuum cleaner.
- e) Dampen a cloth with dish detergent, wipe the fan housing and dry with a cloth.
- f) Replace the grill.
- g) To reduce the risk of fire, always vent fans to the exterior and in compliance with local codes. Do not vent exhaust air into spaces within walls, ceilings, attics, crawl spaces, or garages.
- h) Unplug or disconnect the appliance from the power supply before servicing.

