



Carnes VCDD90I-150I Ceiling Inline Fan Parts Manual

CARNES®

MODELS
VCDD090I • VCDD150I

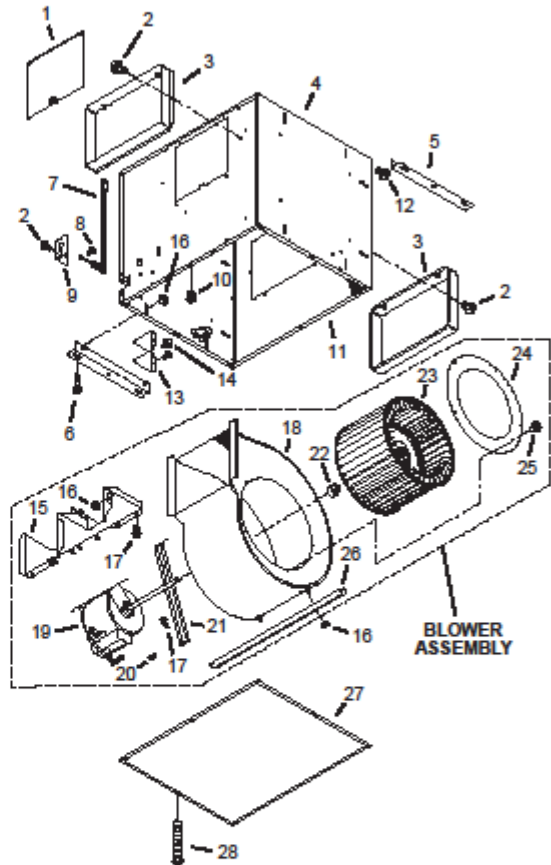
Page 4

SERVICE PARTS

KEY NO.	PART NO.	DESCRIPTION
1	97014853	Damper Flap
2	99150415	Screw, #8B x 1/2" (16 req.)
3	98009520	Duct Connector (2 req.)
4	97014784	Housing Assembly
5	97014728	Mounting Bracket (2 req.)
6	99150691	Mounting Screw (4 req.)
7	97006142	Wiring Harness
8	99150471	Ground Screw, #10-32 x 1/2" (2 req.)
9	98005512	Wiring Adapter Plate
10	99420470	Access Panel Nut (4 req.)
11	98009531	Movable Housing Panel
12	93150487	Screw, #10-24 x .375" (8 req.)
13	98005513	Outlet Box Cover
14	99400035	Strain Relief Bushing
15	97014788	Motor Bracket
16	99260477	Whiz Nut, 1/4-20" (11 req.)
17	99200202	Screw, 1/4-20 x 1/2" (5 req.)
18	97014785	Blower Scroll
19	99080460	Motor (VCDD090I)
	99080491	Motor (VCDD150I)
20	93260447	Nut, Hex Flange 5/16-18" (5 req.)
21	98009516	Support Bracket
22	99680019	Wheel Clamp
23	99020274	Blower Wheel (Includes Key No. 22)
24	98009514	Inlet Ring
25	99150417	Screw, #8-18 x 1/2" (5 req.)
26	98009513	Scroll Support Channel
+	97014848	Blower Assembly Complete (VCDD090I) (Includes Key Nos. 15 thru 26)
+	97014849	Blower Assembly Complete (VCDD150I) (Includes Key Nos. 15 thru 26)
27	98009532	Access Cover
28	99150472	Access Cover Screw (4 req.)

Order replacement parts by PART NO. - not by KEY NO.
* Standard hardware - may be purchased locally.
+ Not shown assembled.

SERVICE PARTS



CARNES
448 S. MAIN STREET
VERONA, WISCONSIN 53593

11240



#2 Chootoo Road, South Aranguez, San Juan, Trinidad

